

Wood-Mizer®

Parts Manual

MS300 E3S

rev. A1.02

MS300 E2S

rev. A1.02



Safety is our #1 concern! Read and understand all safety information and instructions before operating, setting up or maintaining this machine.

Form #2501

Table of Contents

Section-Page

SECTION 1	GENERAL INFORMATION	1-1
1.1	How To Use the Parts List.....	1-1
1.2	Sample Assembly	1-1
SECTION 2	TABLE SAW, MS300	2-1
2.1	Chassis	2-1
2.2	MS300 Assemblies	2-3
2.3	Decals	2-5
2.4	Motor Kit.	2-7
2.5	Handle Assembly (No. 542521)	2-8
2.6	Cutting Unit Assembly (No. 544171)	2-9
2.7	Spindle Housing Assembly (No. 544061)	2-11
2.8	Motor Base Assembly (No. 544067)	2-12
2.9	Lower Body Assembly (No. 544059)	2-13
2.10	Horizontal Drive Shaft Assembly (No. 544177)	2-14
2.11	Saw Lift Screw Assembly (No. 544180)	2-15
2.12	Riving Knife Assembly (No. 544053)	2-16
2.13	Saw Dust Collector Assembly (No. 544077)	2-17
2.14	Splitting Bar Assembly (No. 544081)	2-18
2.15	Gauge Assembly (No. 544091)	2-19
2.16	Fine Adjuster (No. 544094)	2-20
2.17	Upper Guard Assembly (No. 544125)	2-21
2.18	Bottom Bracket Assembly (No. 544107)	2-22
2.19	Telescop Arm Assembly (No. 544113)	2-23
2.20	Upper Arm Assembly (No. 544120)	2-24
2.21	Lower Arm Assembly (No. 544118)	2-25
2.22	Extension Shelf Assembly (No. 544057)	2-26
2.23	Saw Tilt Drive Screw (No. 544046)	2-27
2.24	Table Angle Measurement Team (No. 544156)	2-28
2.25	Mounting Assembly (No. 544154)	2-29
2.26	Side Clamp (No. 544350)	2-30
2.27	Movable table (No. 544270)	2-31
2.28	Main Profile (No. 544271)	2-32
2.29	Lower Profile (No. 544282)	2-33
2.30	Cart (No. 544283)	2-34
2.31	Main Profile Side Handle (No. 544269)	2-35
2.32	Main Profile Side Handle (No. 544285)	2-36
2.33	Side Shelf (No. 544267)	2-37
2.34	MS300EA3S Electrical Box (Part No, 536932-6)	2-38
2.35	Extraction Hose. (No. 544186)	2-39
2.36	Hold-Down Assembly (No. 542460)	2-40
2.37	Hold-Down Arm (No. 544367)	2-41
2.38	Extension Table. 541506	2-43

Getting Service

Wood-Mizer is committed to providing you with the latest technology, best quality and strongest customer service available on the market today. We continually evaluate our customers' needs to ensure we're meeting current wood-processing demands. Your comments and suggestions are welcome.

General Contact Information

From Europe call your local distributor or our European Headquarters and Manufacturing Facility in Koło, Nagórna 114 St, Poland at **+48-63-2626000**. From the continental U.S., call our U.S. Headquarter 8180 West 10th St. Indianapolis, IN 46214, toll-free at **1-800-525-8100**. Ask to speak with a Customer Service Representative. Please have your machine identification number and your customer number ready when you call. The Service Representative can help you with questions about the operation and maintenance of your machine. He also can schedule you for a service call.

Office Hours:

Country	Monday - Friday	Saturday	Sunday
Poland	7 a.m.- 3 p.m.	Closed	Closed
US	8 a.m.- 5 p.m.	8 a.m.- 12 p.m	Closed

Please have your vehicle identification number and your customer number ready when you call.

Wood-Mizer will accept these methods of payment:

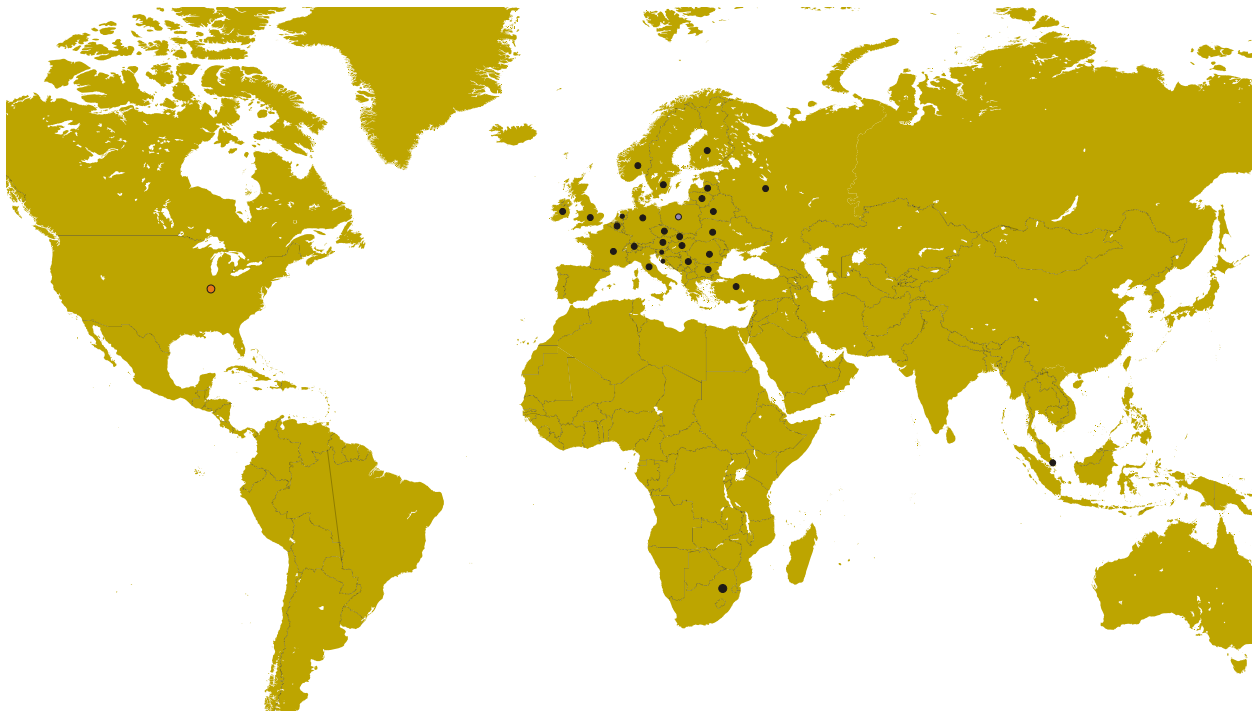
- Visa, Mastercard, or Discover
- COD
- Prepayment
- Net 15 (with approved credit)



Be aware that shipping and handling charges may apply. Handling charges are based on size and quantity of order.

Technical data are subject to change without prior notice.

Actual product may differ from product images. Some illustrations show machines with optional equipment.

Branches & Authorized Sales Centers Wood-Mizer Locations (North and South America)



EUROPE		UNITED STATES
<p> European Headquarters Wood-Mizer Industries Sp. z o.o. Nagórna 114, 62-600 Ko?o, Poland Tel.: +48-63-26-26-000 Fax: +48-63-27-22-327 www.woodmizer.eu</p>		<p> World Headquarters Wood-Mizer LLC 8180 West 10th Street Indianapolis, Indiana 46214-2400, USA Tel.: +1-317-271-1542 Fax: +1-317-273-1011 www.woodmizer.com</p>
<p>BELARUS MOST-GRUPP Siemashko 15, k.3 Minsk 2200116 Tel.: +375-17-270-90-08 Fax: +375-17-270-90-08 GSM: +375-29-649-90-80 e-mail: most-by@mail.ru</p>	<p>SWITZERLAND Stefan Wespi Maschinen u. Geräte Spezialarbeiten GmbH Eichstraße 4 6353 Weggis Tel.: +41-413-900-312 GSM: +41-799-643-594 info@woodmizer.ch www.woodmizer.ch</p>	<p>RUSSIA Dariusz Miko?ajewski OOO WOOD-MIZER INDUSTRIES 141031, Moscow Reg., Mytishenski raj., pos. Veshki, Zavodskaja str., 3B Tel.Fax: +7(495) 788-72-35 Tel.Fax: +7(495) 641-51-60 e-mail: dariuszm@woodmizer-moscow.ru</p>
<p>BULGARIA Kalin Simeonov Ecotechproduct 38 Star Lozenski pat str. Sofia 1186 Tel.: +359-2-462-7035 Tel.: +359-2-963-1656 Tel./Fax : +359-2-979-1710 Kalin Simeonov GSM: +3592-963-2559 e-mail: office@ecotechproduct.com</p>	<p>HUNGARY Wiktor Turoczy Wood-Mizer Hungary K.F.T. Szonyi Ut 67., 2921 Komárom Tel./Fax: +36-34-346-255 e-mail: woodmizer@woodmizer.hu</p>	<p>RUSSIA Far East Wladimir G?azaczew "WM Service" Krasnoretchenskaya Str.111 680006 Khabarovsk Tel./Fax: +7-914-541-1183 e-mail: wms-khv@mail.ru</p>

<p>CROATIA Krešimir Pregernik Pregimex d.o.o. S. Batušića 31, 10090 Zagreb Tel./Fax: +3851-38-94-668 Krešimir Pregernik GSM: +3851-98-207-106 e-mail: Kresimir.Pregernik@gmail.com</p>	<p>ITALY Pasquale Felice Wood-Mizer Italia Srl Cda. Capoiaccio SN 86012 Cercemaggiore Campobasso Tel./Fax: +39-0874-798-357 GSM: +39-333-281-03-79 e-mail: wmitaliasrl@gmail.com</p>	<p>SERBIA Dragan Markov Wood-Mizer Balkan d.o.o. Svetosavska GA 3/3; P. Fah 25 23 300 Kikinda Tel./Fax: +381-230-25-754 Tel./Fax: +381-230-23-567 GSM: +381-63-568-658 e-mail: office@woodmizer.co.yu</p>
<p>CZECH REPUBLIC Miroslav Greill Wood-Mizer CZ s.r.o. Za Kasárny 946 339 01 Klatovy Tel: +420-376-312-220 GMS: +420-608-111-104 Miroslav Greill GMS: + 420-602-439-799 E-mail: woodmizer@woodmizer.cz</p>		<p>SLOVAKIA Wiktor Turoczy Wood-Mizer Danubia s.r.o. Hadovce 5, 94501 Komárno Tel.: +421-35-77-40-316 Fax: +421-35-7740-326 GSM: +421-905-930-972 e-mail: woodmizer@woodmizer.sk</p>
<p>CZECH REPUBLIC Lubomir Kudlik Wood-Mizer Moravia Sovadinova 6 69002 Breclav Tel./Fax: +420-519-322-443 Lubomir Kudlik GSM: +420-602-734-792 e-mail: info@wood-mizer.net</p>	<p>LATVIA Vilmars Jansons OBERTS Ltd Gaujas str. 32/2 LV-2167 Marupe, Rigas Raj. Tel.: +371-7-810-666 Fax: +371-7-810-655 Vilmars Jansons GSM: +371-92-06-966 Andris Orols GSM: +371-28-33-07-90 e-mail: andris@oberts.lv</p>	<p>TURKEY Er-Ka Ahsap Profil Kerestecilik San. ve Tic. Ltd. Sti. Adana Keresteciler Sitesi 191 sk No.41 ADANA Tel.: +90-322-346-15-86 Fax: +90-322-345-17-07 GSM: +90-533-363-18-44 e-mail: info@erkaahsap.com.tr</p>
<p>FINLAND Howard Blackbourn Oy Falkberg Jordbruk Ab Falkintie 220 25610 Ylonkyla Tel.: +358-2732-2253 Fax: +358-2732-2263 Howard Blackbourn GSM: +358-440-424-339 e-mail: falkberg@woodmizer.fi</p>	<p>LITHUANIA Andrius Zuzevicius UAB Singlis Savanoriu pr. 187, 2053 Vilnius Tel.: +370-5-2-32-22-44 Fax: +370-5-2-64-84-15 GSM: +370-620-28-645 e-mail: andrius.z@singlis.lt Dmitrij Gaiduk GSM: +370-69-84-51-91 e-mail: dmitrijus.g@singlis.lt</p>	<p>UKRAINE Ivan Vinnicki MOST UKRAINA bul. Myru 3, Bajkivtsi Ternoplskyj r-j Ternopolska oblast 47711 Ukraine Tel/Fax: +38 (0352) 52 37 74 GSM: +38 (067) 352 54 34 GSM: +38 (067) 674 50 68 E-mail: most-ukraine@ukr.net</p>
<p>FRANCE Tizoc Chavez Wood-Mizer France 556 chemin des Embouffus, ZAC des Basses Echarrieres 38440 SAINT JEAN DE BOURNAY Tel: +33-4 74 84 84 44 GSM: +33-607 52 02 82 Mail: tchavez@woodmizer.fr</p>	<p>NORWAY Tor Bakken Flaathe Bakken Flaathe A/S Lokenvegen 5, 2034 Holter Tel: + 47-638 74 989 Sales: + 47- 412 80 076 Service: +47- 975 87 588 post@woodmizer.no www.woodmizer.no</p>	<p>UNITED KINGDOM & IRELAND Wood-Mizer UK Hopfield Barn Kenward Road, Yalding Kent ME18 6JP, UK Tel.: +44-1622-813-201 Fax: +44-1622-815-534 e-mail: info@woodmizer.co.uk</p>
<p>SLOVENIA Jan Fale FAMTEH d.o.o. Gacnikova pot 2, 2390 Ravne na Koroskem Tel.: +386-2-62-04-232 Fax: +386-2-62-04-231 Jan Fale GSM: +386-2-62-04-230 e-mail: jan.fale@famteh.si Matjaz Kolar Tel.: +386-2-62-04-232 GSM: +386-31-775-999 e-mail: matjaz.kolar@famteh.si</p>		

<p>GERMANY/AUSTRIA Klaus Longmuss Wood-Mizer GmbH Dorfstraße 5, 29485 Schletau Büro Tel: +49-5883 988 010 Werkstatt Tel: +49-5883 988 220 Ersatzteilservice Tel: +49-58 83 - 98 80 250 Scharfservice Tel: +49-58 83 - 98 80 270 E-mail: info@woodmizer.de www.woodmizer.de Klaus Longmuss Tel.: +49-5883-9880-12 GSM: +49-17-298-55-892 e-mail: KLongmuss@woodmizer.de</p>	<p>Subagent: SWEDEN Kjell Larsson Mekwood AB Slingan 14, 812 41 Gästrike-Hammarby Tel.: +46-290-515-65 Kjell Larsson GSM: +46-706-797-965 e-mail: kjell.larsson@mekwood.se</p>	<p>IRELAND Wood-Mizer Ireland Stephen Brennan Cum Lahardane Ballina County Mayo Tel:+353 96 51345 E-mail: brennanmill@ericom.net</p>
<p>Subagents: DENMARK Kevin Christiansen Kevin Christiansen's savværker PMV Arnborgvej 40, 7330 Brande- Fasterholt Mobile: +45 61468763 Mobile: +45-23495828 Info@woodmizer.dk www.woodmizer.dk</p>	<p>ROMANIA Adrian Echert SC WOOD-MIZER RO SRL TRANSILVANIEI Nr. 5 Sibiu, Cisnadia 555300 Tel./Fax: : +40-369-405-433 GSM: +40-745-707-323 e-mail: aechert@woodmizer.ro</p>	<p>Regional Manager - Asia Robert Moxham Regional Direction - Asia Wood-Mizer Asia Manufacturing Co., Ltd. No.2, Gongyequ 40th Rd. Xitun District, Taichung City, 40768, Taiwan, R.O.C. TEL: +886-4-2359 3022 FAX: +886-4-2359 3205 CELL: +886-9-0568 7708 EMAIL: RMoxham@woodmizer.com www.woodmizerasia.com Skype: r.g.moxham</p>
<p>NETHERLANDS Gerlo Breukers Breukers Houtzagerij en Bosbouwmachines Hazenweg 5, 7481 PC Haaksbergen Tel: +31-535741326 Mobile: +31-620419412 info@woodmizer.nl www.woodmizer.nl</p>	<p>Subagent: ROMANIA M. Echert S.C. Echert Comprod s.r.l Str. Schitului Nr. 6, Apt.7 etajul-1 725 70 Vatra Dornei, Romania Tel./Fax: +40-230-374-235 Tel. : +40-740-35-35-74</p>	<p>Regional Manager - Africa Gavin Prowse Regional Sales Director - Africa Wood-Mizer Africa (Pty) Ltd. Unit 1, Leader Park 20 Chariot Street Stormill Ext.5 Maraisburg, Johannesburg South Africa TEL: +27 11 473 1313 FAX: +27 11 473 2005 CELL: +27 71 398 8010 EMAIL: growse@woodmizer.com www.woodmizerafrica.com Skype: gavin.prowse</p>

USA World Headquarters

Serving North & South America, Oceania, East Asia

Wood-Mizer LLC
8180 West 10th Street
Indianapolis, IN 46214

Phone: 317.271.1542 or 800.553.0182
Customer Service: 800.525.8100
Fax: 317.273.1011
Email: infocenter@woodmizer.com

Brazil Headquarters

Serving Brazil

Wood-Mizer do Brasil
Rua Dom Pedro 1, No: 205 Bairro: Sao Jose
Ivoti/RS CEP:93.900-000

Tel: +55 51 9894-6461/ +55 21 8030-3338/ +55 51 3563-4784
Email: info@woodmizer.com.br

Canadian Headquarters

Serving Canada

Wood-Mizer Canada
396 County Road 36, Unit B
Lindsay, ON K9V 4R3

Phone: 705.878.5255 or 877.357.3373
Fax: 705.878.5355
Email: ContactCanada@woodmizer.com

Europe Headquarters

Serving Europe, Africa, West Asia

Wood-Mizer Industries Sp z o.o.
Nagorna 114
62-600 Kolo, Poland

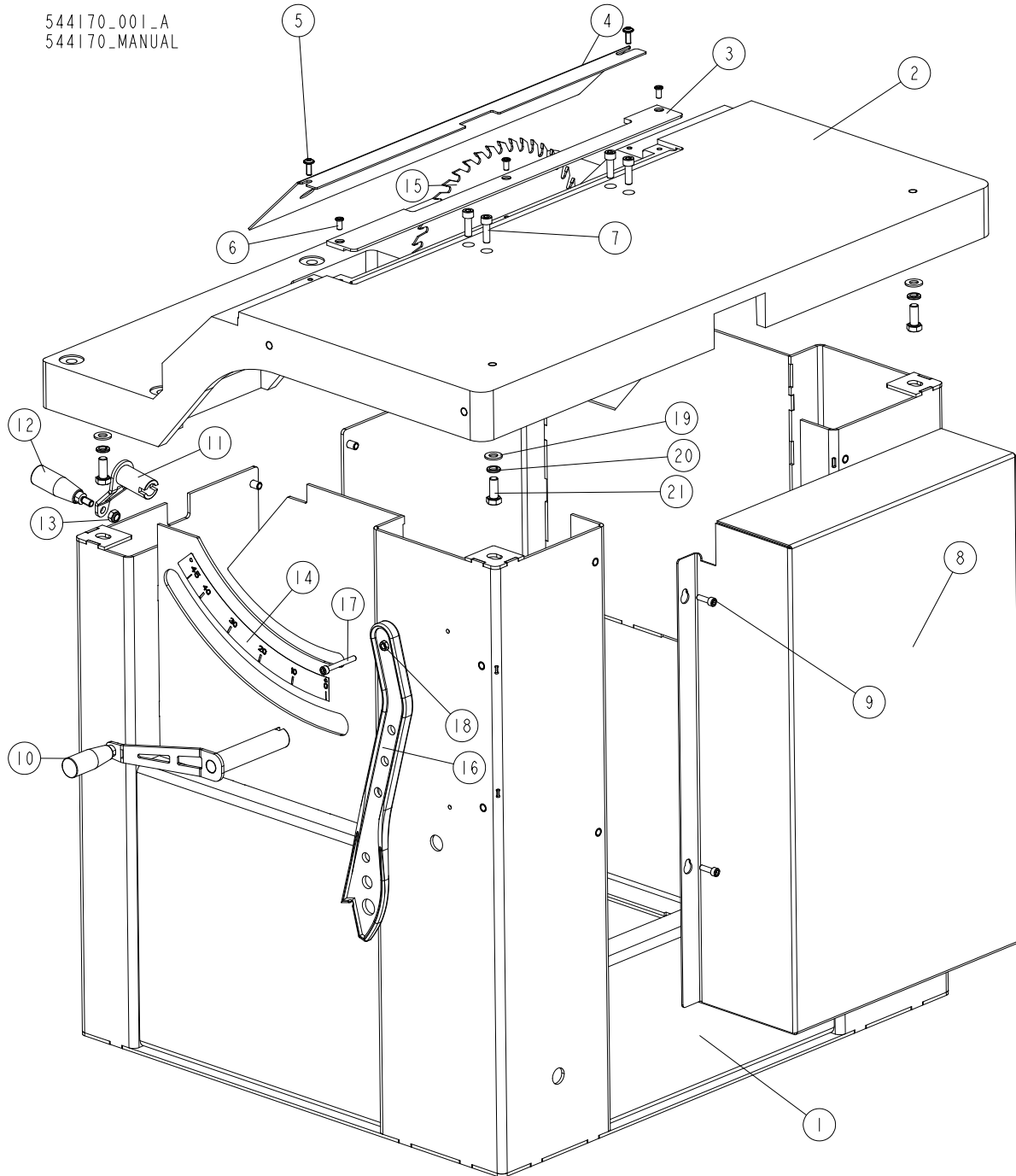
Phone: +48.63.26.26.000
Fax: +48.63.27.22.327

Branches & Authorized Sales Centers

For a complete list of dealers, visit www.woodmizer.com

SECTION 1 TABLE SAW, MS300

1.1 Chassis



REF	DESCRIPTION (◆ indicates parts available in assemblies only)	PART #	QTY
-	Table Circular Saw MS300	544170	1
1	CHASSIS WELDET AND PAINTED	544015-1	1
2	TABLE	544020-1	1
3	PLATE, TABLE	546427-1	1
4	TABLE COVER	544078-1	1
5	BOLT, M6X16 BN 11252 "BOSSARD"	F81001-24	2

1

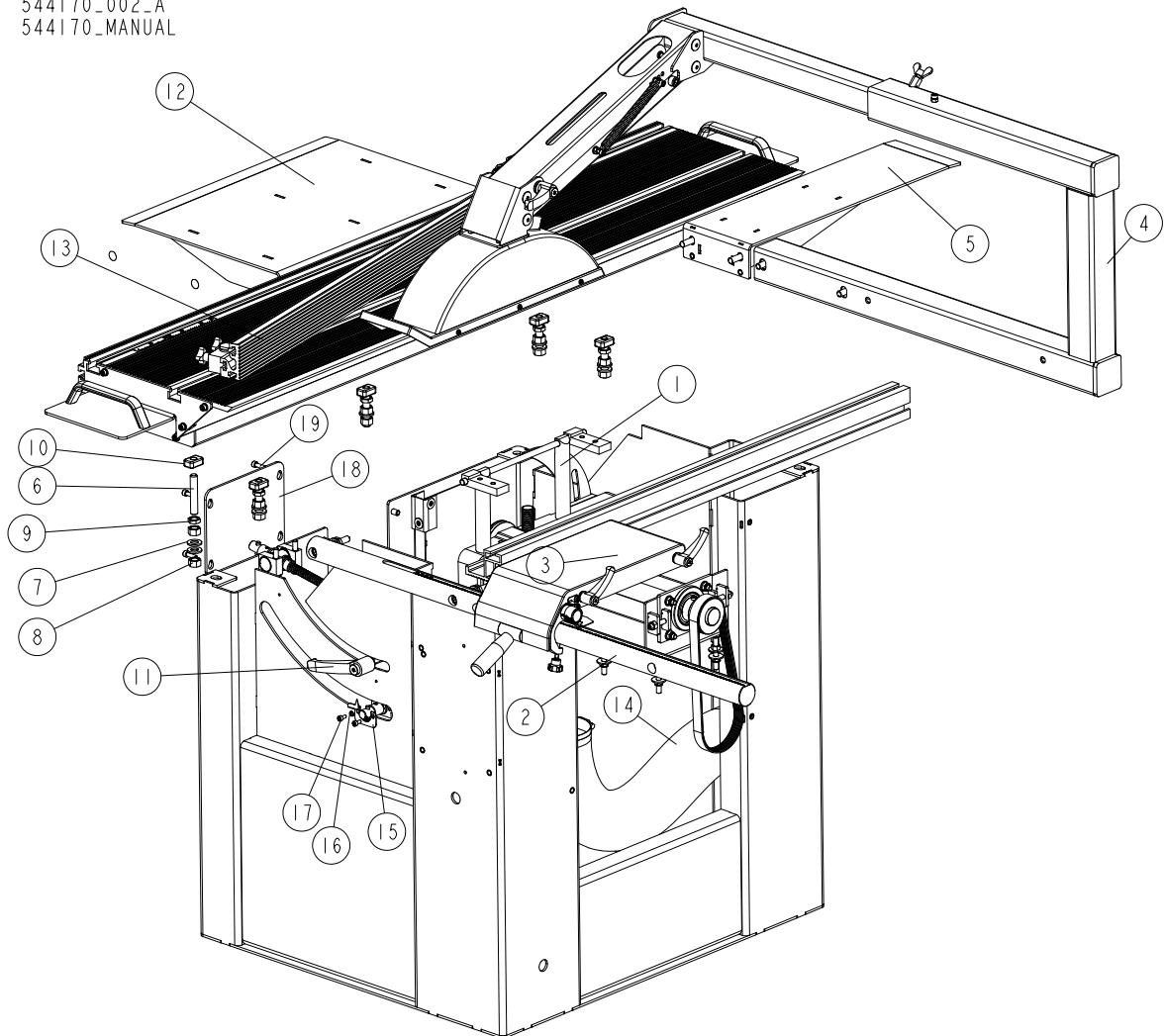
TABLE SAW, MS300

Chassis

REF	DESCRIPTION (◆ indicates parts available in assemblies only)	PART #	QTY	
6	SCREW M6X16 SHCS ZC 10.9 BN 1206	F81001-105	2	
7	BOLT, M8X25-10.9-FE/ZN5 HEX	F81002-128	4	
8	DRIVE GUARD	544176-1	1	
9	SCREW, M6 X 20 8.8 SOCKET HEAD	F81001-22	4	
10	HANDLE, COMPLETE See Section 1.5	542521	1	
-	HANDLE ASSEMBLY	536955	1	
11	HANDLE WELDMENT	536953-1	1	
12	CYLINDRICAL GRIP	533505	1	
13	NUT, M8-8-B HEX NYLON ZINC LOCK	F81032-2	1	
14	STICKER ANGLE SCALE	544157	1	
15	BLADE, 315X3,2/2.2X30+PH2 Z=48ECO-SIL	544158	1	
16	PUSHER	544293	1	
17	SCREW M6X60 SHCS 8.8; DIN 912 ISO 4762	F81001-83	1	
18	NUT, M6-8 HEX ZINC	F81031-1	1	
19	WASHER, 10.5 FLAT ZINC	F81055-1	4	
20	WASHER, 10.2 SPLIT LOCK ZINC	F81055-2	4	
21	BOLT, M10X25-8.8-FE/ZN5	F81003-11	4	

1.2 MS300 Assemblies

544170_002_A
544170_MANUAL



REF	DESCRIPTION (◆ indicates parts available in assemblies only)	PART #	QTY
-	Table Circular Saw MS300	544170	1
1	CUTTING UNIT ASSEMBLY See Section 1.6	544171	1
2	SPLITTING BAR ASSEMBLY See Section 1.14	544081	1
3	GAUGE ASSEMBLY NUMBER See Section 1.15	544091	1
4	UPPER GUARD ASSEMBLY See Section 1.17	544125	1
5	EXTENSION SHELF ASSEMBLY See Section 1.22	544057	1
6	SCREW, M12X70-33H HEX SOCKET SET W/FLAT	F81004-125	5
7	WASHER, 13 FLAT ZINC	F81056-1	9
8	NUT, M12-8-B ZINC HEX	F81034-1	10
9	NUT, M12-04 HEXAGON	F81034-6	5
10	SPECIAL NUT	544132-1	5
11	SAW TILT SCREW ASSEMBLY See Section 1.23	544046	1
12	WORKTABLE See Section 1.27	544270	1
13	TABLE ANGLE MEASUREMENT TEAM See Section 1.24	544156	1
14	EXTRACTION HOSE ASSEMBLY See Section 1.34	544186	1
15	INDICATOR, SCALE ANGLE	546455	1

1**TABLE SAW, MS300***MS300 Assemblies*

REF	DESCRIPTION (◆ indicates parts available in assemblies only)	PART #	QTY	
16	WASHER, 5.1 SPLIT LOCK ZINC	F81052-2	2	
17	SCREW, M5X10 DIN912 A2-70 HEX SOCKET HEAD	F81000-23	2	
18	PLATE, INSPECTION	546431-1	1	
19	SCREW, M6 X 20 8.8 SOCKET HEAD	F81001-22	4	

1.3 Decals

MS300EH3S_037
MS300EH3S_MANUAL



REF	DESCRIPTION (◆ indicates parts available in assemblies only)	PART #	QTY	
-	DECAL KIT, MS300	550401	1	
1	DECAL, VIN	VIN	1	
2	DECAL, CE , CERTIFIED SAWMILL (SMALL)	P85070	1	
3	DECAL, EUROPEAN HEADQUARTERS ADDRESS	015841	1	

1

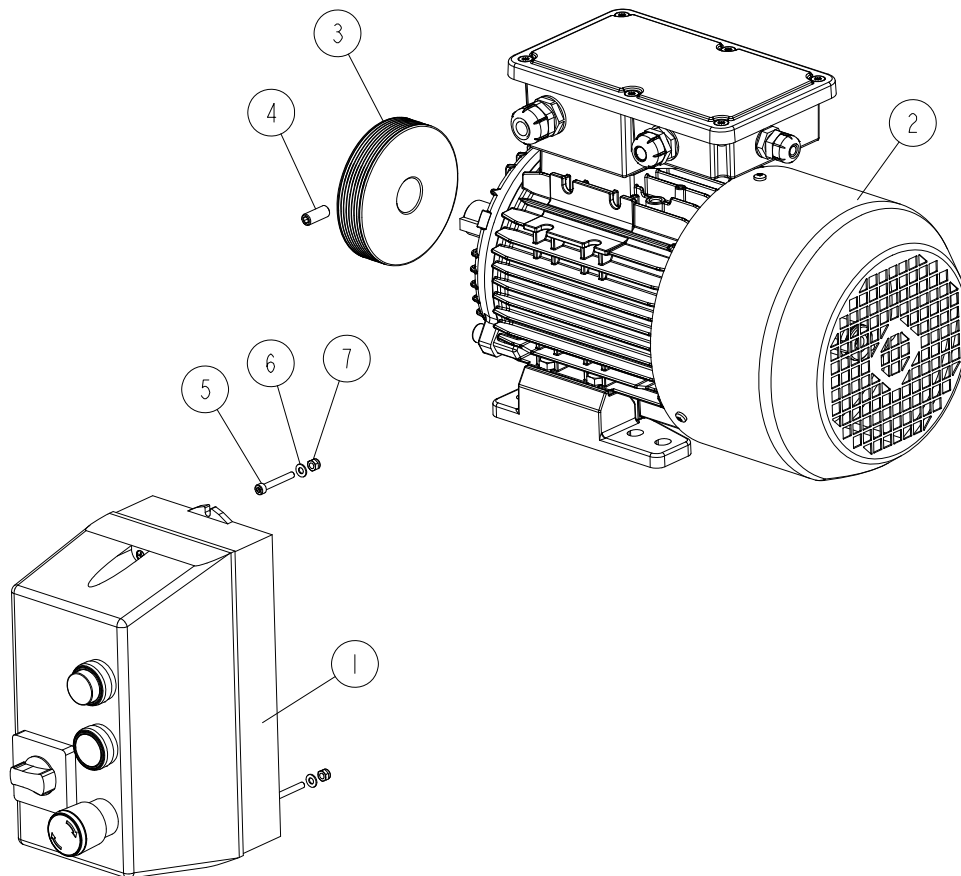
TABLE SAW, MS300

Decals

REF	DESCRIPTION (◆ indicates parts available in assemblies only)	PART #	QTY	
4	DECAL, MOTOR DIRECTN	S20097	1	
5	DECAL, CLOSE GUARDS BEFORE OPERATING	099220	1	
6	STICKER ANGLE SCALE	544157	1	
7	METRIC SCALE	544080	1	
8	MEASURE	544274	1	
9	DECAL, MS300 TYPE	550402	1	
10	DECAL, CUTTING TOOLS SPEC MS300	550403	1	
11	DECAL, TILTING BLADE MS300	550404	1	
12	DECAL, DANGER OF INJURY HANDS	509255	1	
13	DECAL, USE SAFETY BOOTS	501465-1	1	
14	DECAL, EYE WARNING, SMALL	S12004G-1	1	
15	DECAL, WEAR PROTECTIVE EAR MUFFS (PICTOGRAM) SMALL	S12005G-1	1	
16	DECAL, PROTECTIVE APRON, SMALL 60MM	539211-1	1	
17	DECAL "USE SAFETY GLOVES", SMALL	512107-1	1	
18	DECAL, READ MANUAL BEFORE OPERATING	096317	1	
19	DECAL, KEEP A SAFE DISTANCE PICTOGRAM	099221H	2	

1.4 Motor Kit.

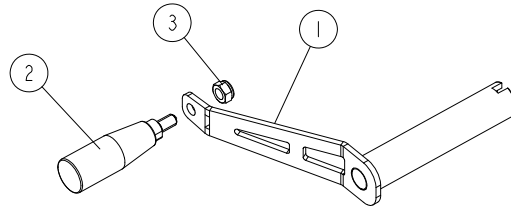
544190_001_A
544190_MANUAL



REF	DESCRIPTION (◆ indicates parts available in assemblies only)	PART #	QTY
-	Motor Kit	544190	1
1	STARTER, 10A MAX (3-4 KW PRZY 400V), IP6	536932	1
2	MOTOR 3SIE90L-2A-HM 3KW IM1001	536948	1
3	PULLEY, MULTI-GROOVE ALUMINIUM	533585	1
4	SCREW M8X20 HSS W/FLAT POINT ZC 45H DIN 913	F81002-103	1
5	BOLT, M4X30-8.8 FE/ZN5 DIN 912, SOCKET H	F81000-85	2
6	WASHER 4,3 FE/ZN5 PN-M/82005	F81051-2	2
7	NUT M4-B FE/ZN5 PN-M/82175	F81029-1	2

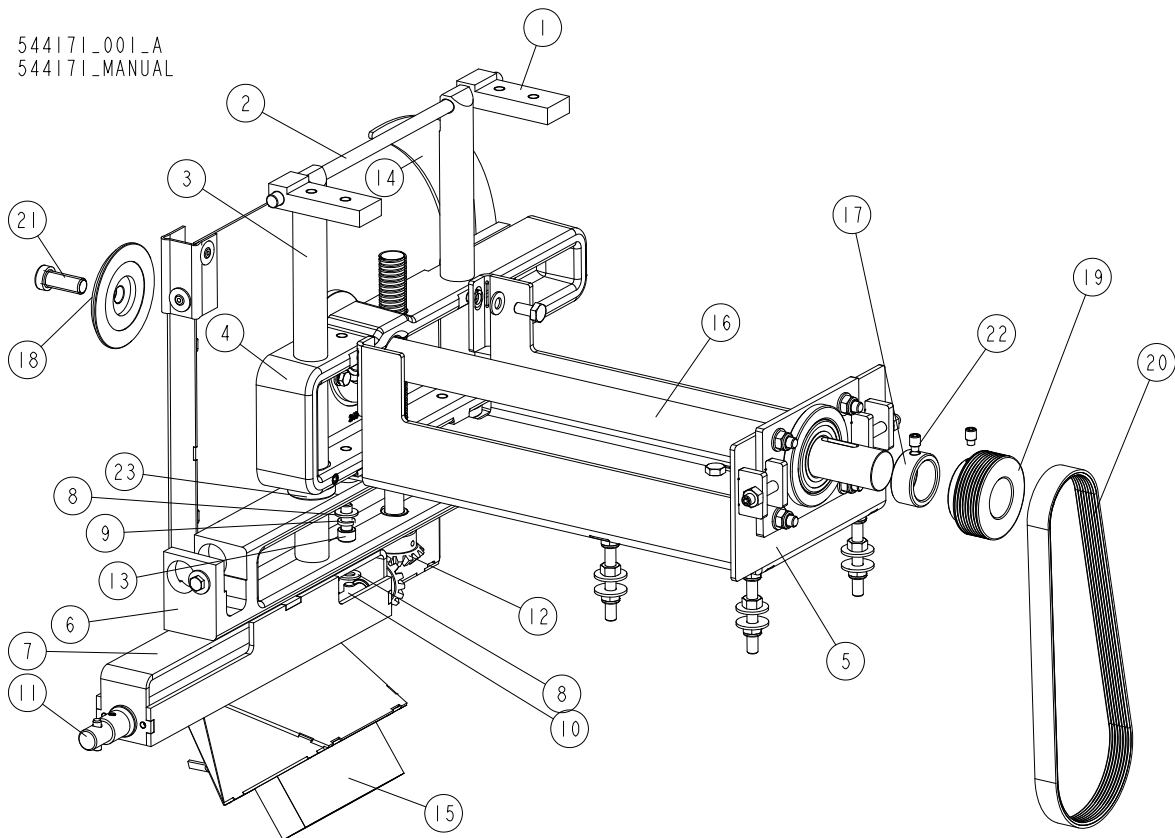
1.5 Handle Assembly (No. 542521)

542521_001
542521_MANUAL



REF.	DESCRIPTION (* indicates parts available in assemblies only)	PART #	QTY
-	HANDLE, COMPLETE	542521	1
1	HANDLE	542522-1	1
2	GRIP, CYLINDRICAL	533505	1
3	NUT, M8-8-B HEX NYLON ZINC LOCK	F81032-2	1

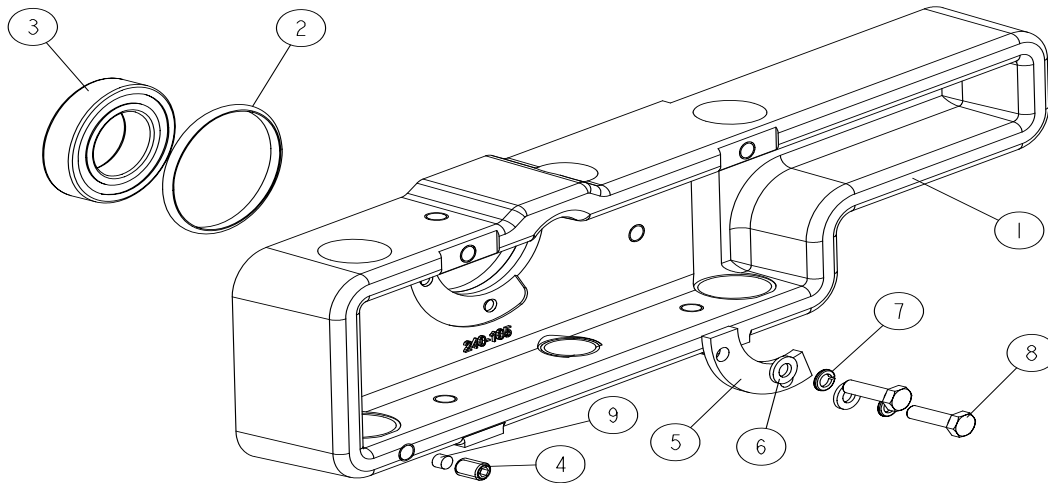
1.6 Cutting Unit Assembly (No. 544171)



REF	DESCRIPTION (u indicates parts available in assemblies only)	PART #	QTY
-	CUTTING UNIT ASSEMBLY	544171	1
1	MOUNTING BRACKET	544023	2
2	BAR	544024	1
3	GUIDE ROD	544026	2
4	SPINDLE HOUSING ASSEMBLY See Section 1.7	544061	1
5	ELECTRIC MOTOR BASE ASSEMBLY See Section 1.8	544067	1
6	LOWER BODY ASSEMBLY See Section 1.9	544059	1
7	BRACKET-WELDET & PAINTED	544182-1	1
8	WASHER, 8.4 FLAT ZINC	F81054-1	6
9	WASHER 8,2 FE/ZN9	F81054-4	6
10	BOLT M8X16 -8.8-B-FE/ZN5 PN-85/M-82105	F81002-20	4
11	HORIZONTAL DRIVE SHAFT ASSEMBLY See Section 1.10	544177	1
12	SAW LIFT SCREW ASSEMBLY See Section 1.11	544180	1
13	BOLT, M8 X 20-8.8 SOCKET HEAD	F81002-30	2
14	RIVING KNIFE ASSEMBLY See Section 1.12	544053	1
15	SAWDUST COLLECTOR ASSEMBLY See Section 1.13	544077	1
16	DRIVE SHAFT ASSEMBLY	546394	1
17	RETAINING SLEEVE	544029	1
18	SAW CLAMPING PLATE	544030	1
19	PULLEY,MULTI-GROOVE SMALL ALUMINIUM	544135	1
20	BELT, 660J/260J-715 MULTI-RIBBED	544136	1
21	SRUBA IMB.M12X30-LH-8.8-FE/ZN5 DIN 6912	F81004-121	1

REF	DESCRIPTION (u indicates parts available in assemblies only)	PART #	QTY	
22	SCREW M8X12 HSS W/DOG POINT ZC 45H DIN 9	F81002-122	2	
23	SPACER 25/35X8	546470	2	

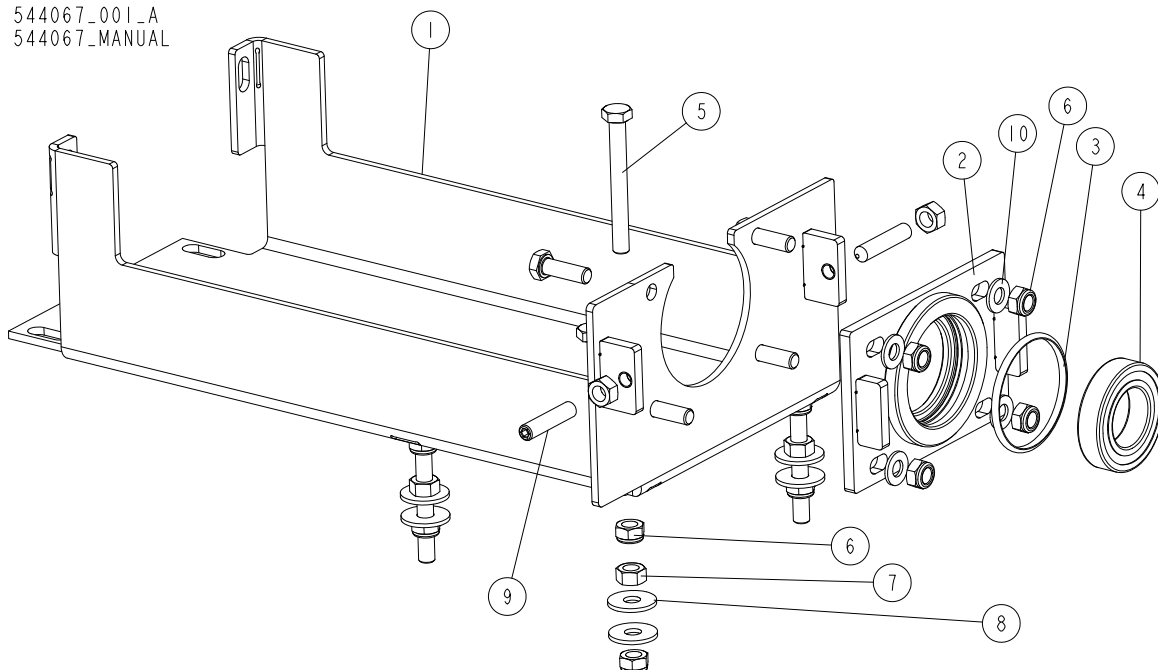
1.7 Spindle Housing Assembly (No. 544061)

544061_001_B
544061_MANUAL

REF	DESCRIPTION (◆ indicates parts available in assemblies only)	PART #	QTY
-	SPINDLE HOUSING ASSEMBLY	544061	1
1	SPINDLE HOUSING CAST	544060-1	1
2	O-RING, OR 54X3.5	536959_1	1
3	BEARING SKF 6006 2RS1/C3	544063	1
4	SCREW M8X10 HSS W/DOG POINT ZC 45H DIN 9	F81002-123	1
5	PLATE, BEARING SUPPORT	546433	1
6	WASHER, 6.4 FLAT ZINC	F81053-1	2
7	WASHER, Z 6.1 SPLIT LOCK ZINC	F81053-3	2
8	BOLT, M6X20 8.8 HEX HEAD FULL THREAD ZIN	F81001-2	2
9	PIN, SLIDE	535987	1

1.8 Motor Base Assembly (No. 544067)

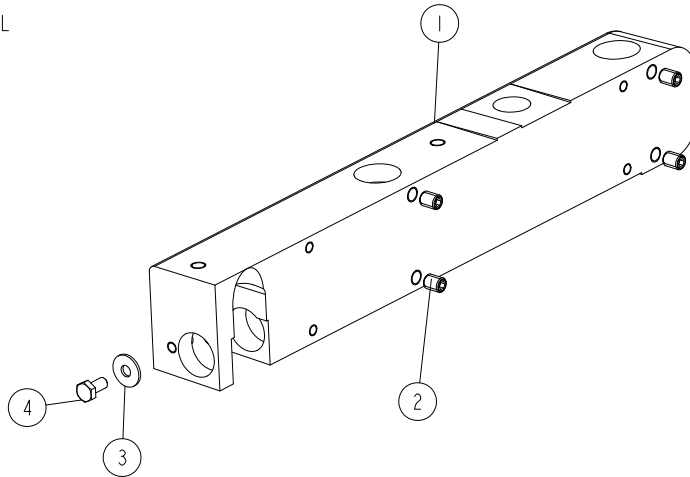
544067_001_A
544067_MANUAL



REF	DESCRIPTION (u indicates parts available in assemblies only)	PART #	QTY
-	ELECTRIC MOTOR BASE ASSEMBLY	544067	1
1	MOTOR BASE WELDET & PAINTED	546393-1	1
2	BEARING ADJUSTMENT SYSTEM	546456-1	1
3	ORING OR 54X3,5	536959_1	1
4	BEARING SKF 6006 2RS1/C3	544063	1
5	BOLT M8X70-8.8 FE/ZN5 DIN 933	F81002-130	4
6	NUT, M8-8-B HEX NYLON ZINC LOCK	F81032-2	12
7	NUT, M8-8-B HEX ZINC	F81032-1	6
8	WASHER, .8,5 FE/ZN5 PN-59/M-82030	F81054-11	8
9	SCREW,M8X40-45H HEX SOCK.SET CONE POINT	F81002-52	2
10	WASHER, 8.4 FLAT ZINC	F81054-1	4

1.9 Lower Body Assembly (No. 544059)

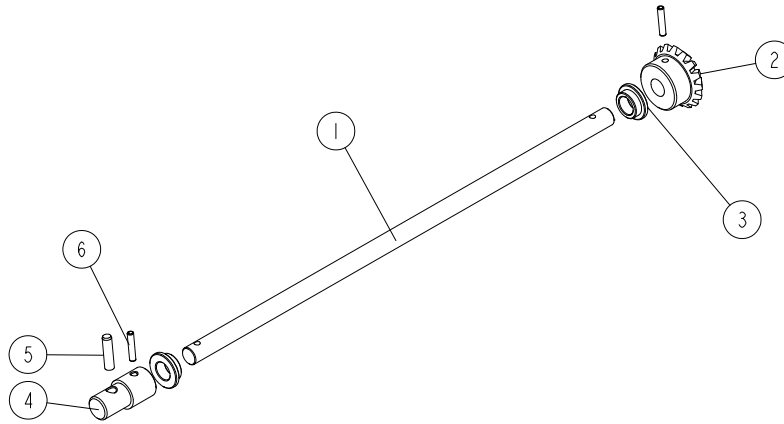
544059_001
544059_MANUAL



Ref	DESCRIPTION (* indicates parts available in assemblies only)	PART #	QTY	
-	Lower Body Assembly	544059	1	
1	LOWER CAST IRON	544058-1	1	
2	SCREW M8X10 HSS W/DOG POINT ZC 45H DIN 913 ISO 4026	F81002-123	4	
3	WASHER 6,5 ZC FENDER DIN 9021 ISO 7093	F81053-11	1	
4	BOLT M6X12 HH ZC FT 8.8 DIN 933	F81001-7	1	

1.10 Horizontal Drive Shaft Assembly (No. 544177)

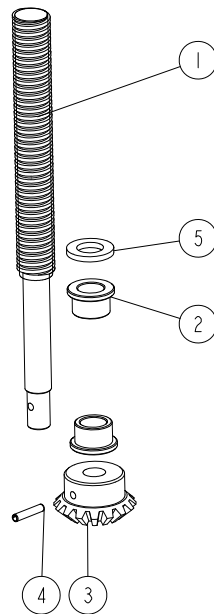
544177_001
544177_MANUAL



Ref	DESCRIPTION (* indicates parts available in assemblies only)	PART #	QTY
-	Horizontal Drive Shaft Assembly	544177	1
1	ELEVATOR DRIVE SHAFT	544178	1
2	BEVEL GEAR M=2,5 T=16	544179	1
3	SELF LUBRICATING BEARING, AMES N12/N18/N24-8	544031	2
4	PIN, SCALE DISK MOUNT	533595-1	1
5	DOWEL PIN 6M6X12 DIN 7 ISO 2338	F81045-5	1
6	COLIED SPRING PIN 4X30, ISO 8752, STEEL.	F81044-11	2

1.11 Saw Lift Screw Assembly (No. 544180)

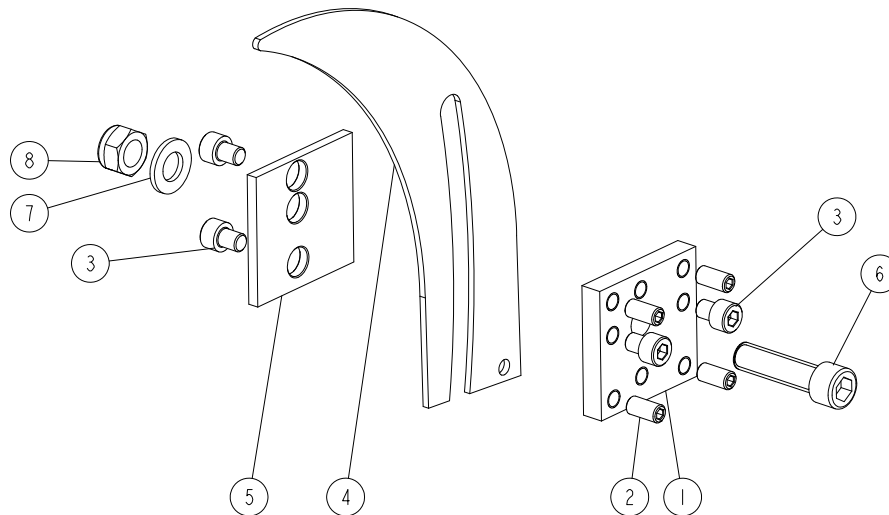
544180_001
544180_MANUAL



Ref	DESCRIPTION (* indicates parts available in assemblies only)	PART #	QTY
-	Saw Lift Screw Assembly	544180	1
1	SAW LIFT SCREW	544181	1
2	SELF LUBRICATING BEARING, AMES N14/N20/N25-14	544037	2
3	BEVEL GEAR M=2,5 T=16	544179	1
4	COILED SPRING PIN 4X30, ISO 8752, STEEL.	F81044-11	1
5	WASHER 14.2	546243	1

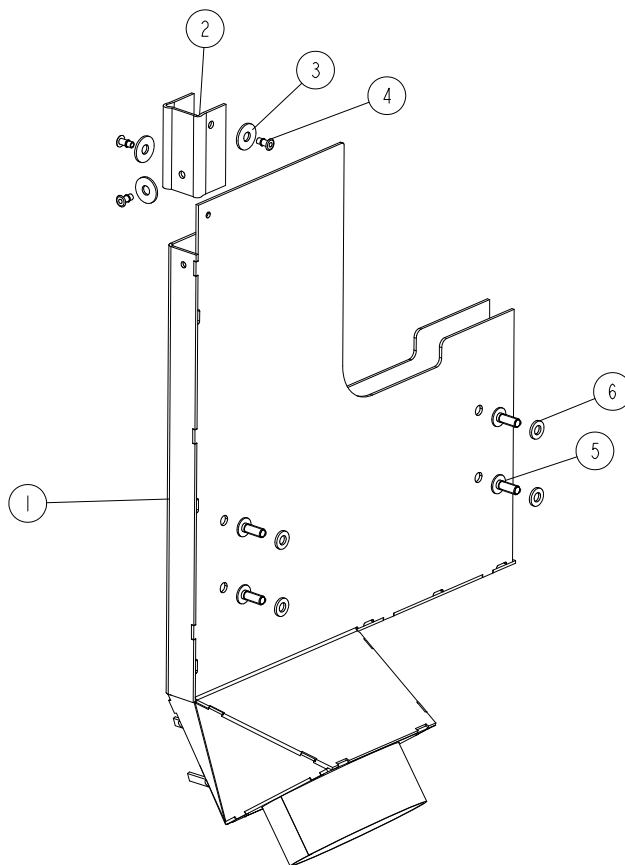
1.12 Riving Knife Assembly (No. 544053)

544053_001
544053_MANUAL



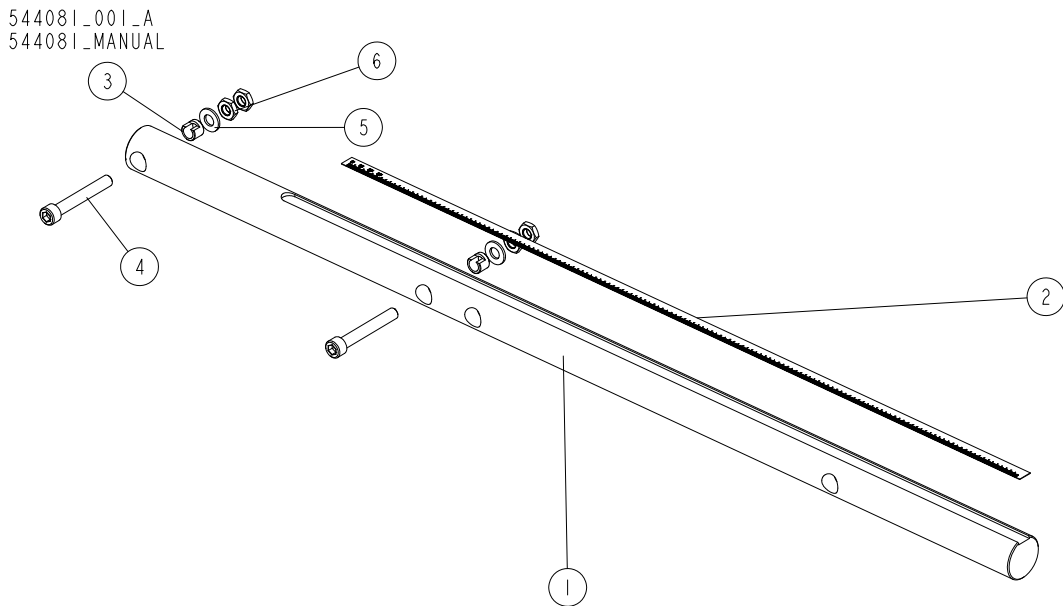
Ref	DESCRIPTION (* indicates parts available in assemblies only)	PART #	QTY
-	Riving Knife Assembly	544053	1
1	CLAMPING PLATE 2	544051-1	1
2	SCREW M8X16 HSS W/FLAT POINT ZC 45H DIN 913	F81002-124	4
3	BOLT M8X10 SHCS ZC PT 8.8 DIN 912 ISO 4762	F81002-32	4
4	RIVING KNIFE	544052-1	1
5	CLAMPING PLATE 1	544050-1	1
6	ALLEN SCREW M12X45-8.8/FE/ZN5 DIN 912	F81004-93	1
7	WASHER 13 ZC DIN 126 ISO 7091	F81056-1	1
8	NUT M12 ZC 8 NYLOCK DIN 982 ISO 7040	F81034-2	1

1.13 Saw Dust Collector Assembly (No. 544077)

544077_001
544077_MANUAL

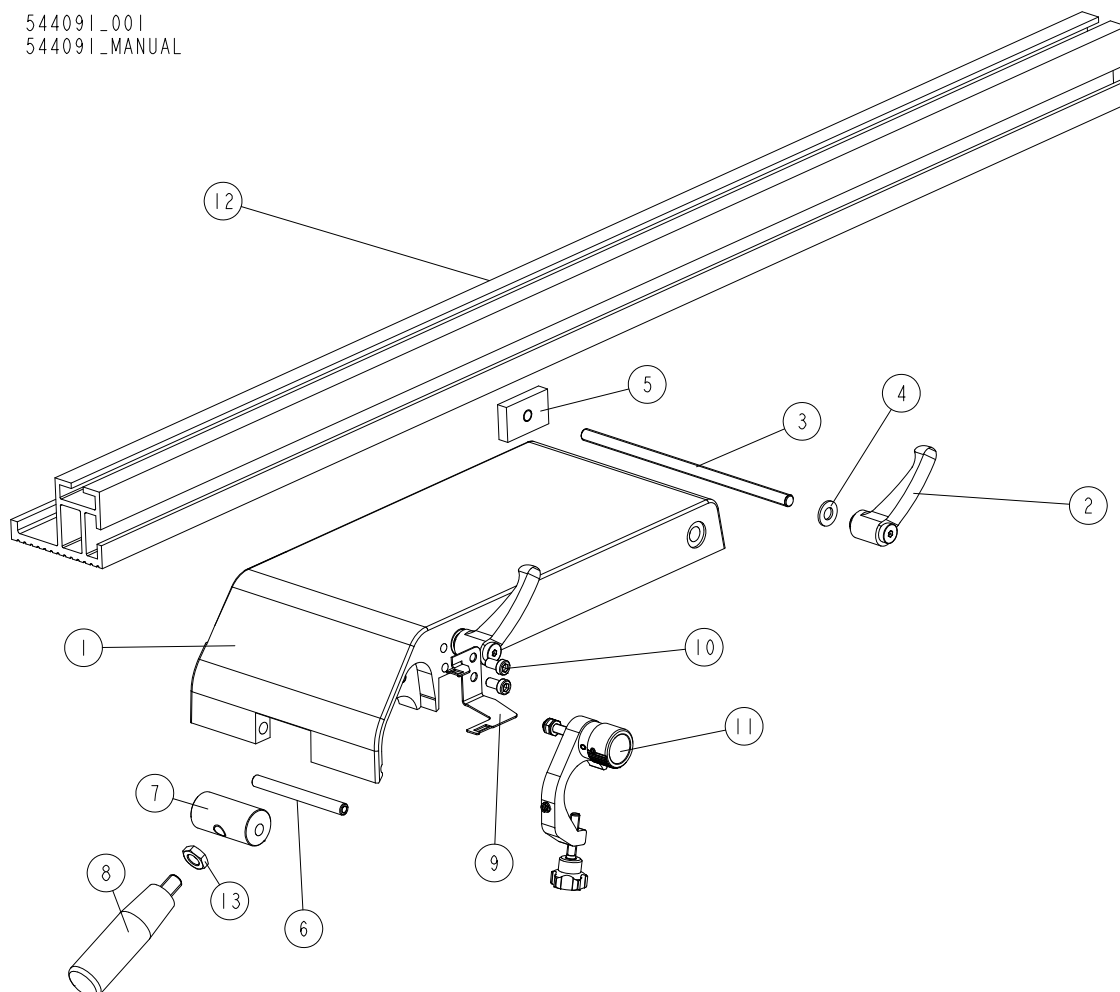
Ref	DESCRIPTION (* indicates parts available in assemblies only)	PART #	QTY	
-	Saw Dust Collector Assembly	544077	1	
1	SAWDUST SLEEVE SAW	544075-1	1	
2	SEAL	544076	1	
3	WASHER 6,5 ZC FENDER DIN 9021 ISO 7093	F81053-11	3	
4	BREAKING RIVET AL 4X10	F81021-15	3	
5	BOLT, M6X16 BN 11252 "BOSSARD"	F81001-24	4	
6	WASHER 6,4 ZC DIN 126 ISO 7091	F81055-1	4	

1.14 Splitting Bar Assembly (No. 544081)



REF	DESCRIPTION (u indicates parts available in assemblies only)	PART #	QTY	
-	Splitting Bar Assembly	544081	1	
1	SPLITTING BAR	544079	1	
2	METRIC SCALE	544080	1	
3	SPACER SLEEVE	544082	2	
4	ALLEN SCREW M10X70-8.8 FE/ZN5 DIN 912	F81003-60	2	
5	WASHER, 10.5 FLAT ZINC	F81055-1	2	
6	NUT, M10 DIN439 THIN	F81033-20	4	

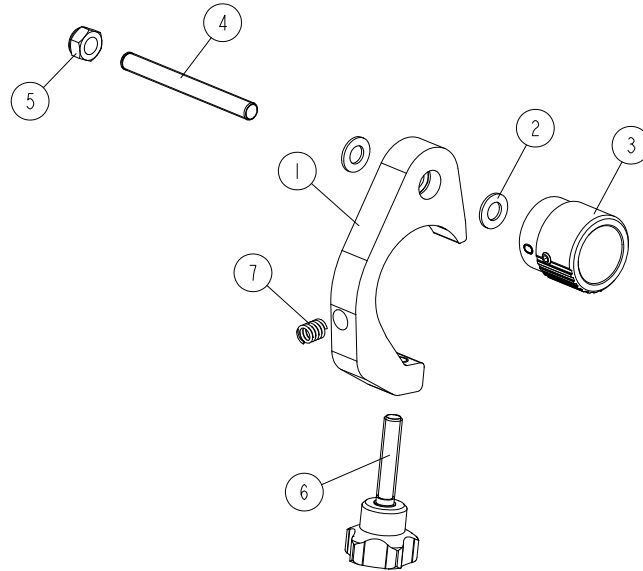
1.15 Gauge Assembly (No. 544091)

544091_001
544091_MANUAL

REF	DESCRIPTION (u indicates parts available in assemblies only)	PART #	QTY
-	GAUGE ASSEMBLY	544091	1
1	CAST IRON	544083-1	1
-	MOUNTING HANDLE ASSEMBLY	544090	2
2	ADJUSTABLE HANDLE ERX.63A-M8	544089	1
3	THREADED ROD M8X185	544088	1
4	WASHER, 8.4 FLAT ZINC	F81054-1	1
5	CLAMPING NUT	544086-1	2
6	ECCENTRIC AXIS	544085	1
7	ECCENTRIC SLEEVE	544084-1	1
8	HANDLE NON-ROTATING I.280/90 P-M10X16	544087	1
9	INDICATOR PLATE	544093-1	1
10	SCREW, M6X12-10.9 DIN 7984 LOW HEX SOCKE	F81001-80	2
11	FINE ADJUSTER See Section 1.16	544094	1
12	PROWADNICA I - 820	544260	1
13	NUT, M10-04-W THIN ZINC	F81033-6	1

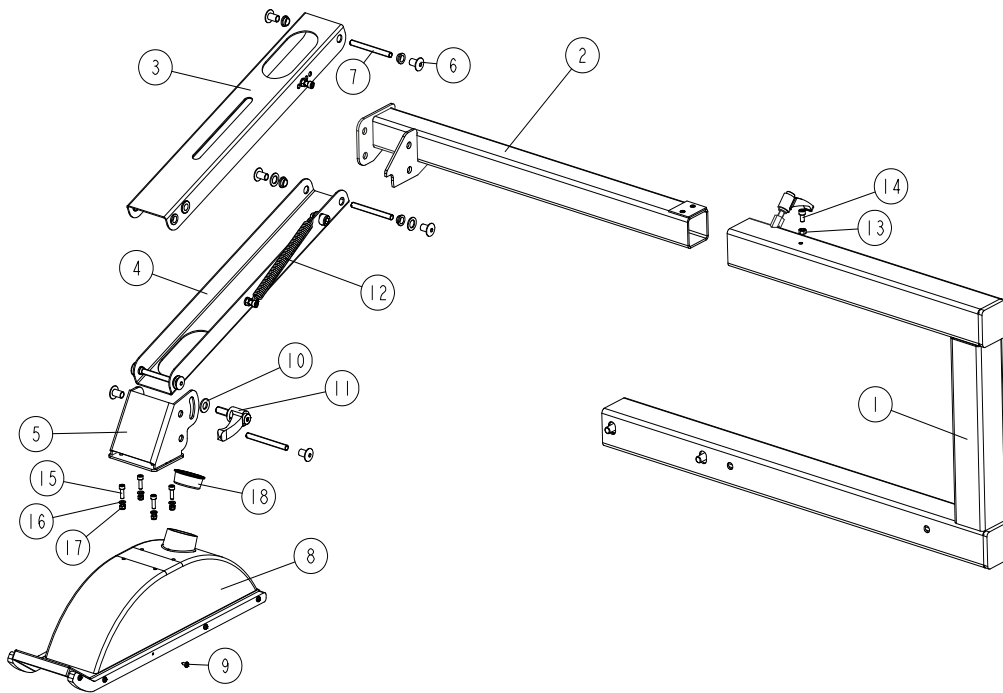
1.16 Fine Adjuster (No. 544094)

544094_001
544094_MANUAL



Ref	DESCRIPTION (* indicates parts available in assemblies only)	PART #	QTY
-	Fine Adjuster	544094	1
1	CLAMPING PLATE	544092-1	1
2	WASHER	544096	2
3	KNURLED KNOB GN726.1-27-B6-S-1	544095	1
4	THREADED ROD M6-60	544097	1
5	NUT M6 ZC 8 NYLOCK DIN 982 ISO 7040	F81031-2	2
6	HANDWHEEL VC.192 / 25 P-M6X30	544099	1
7	COMPRESION SPRING - VANEL C.060.055.0120.	544100	1
8			

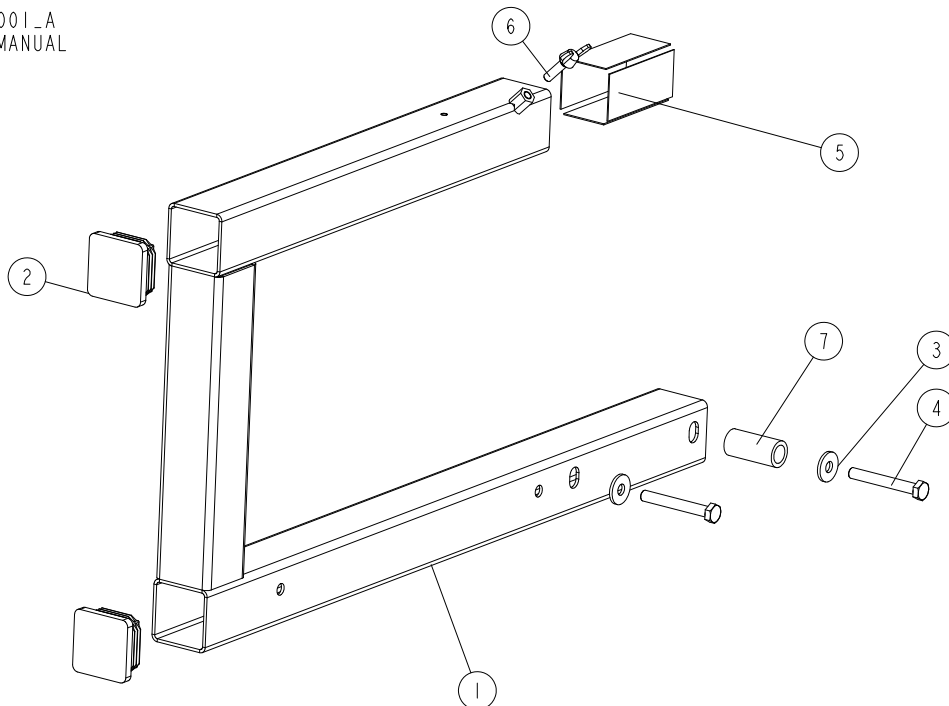
1.17 Upper Guard Assembly (No. 544125)

544125_001_B
544125_MANUAL

REF.	DESCRIPTION (* indicates parts available in assemblies only)	PART #	QTY
-	UPPER GUARD ASSEMBLY	544125	1
1	BOTTOM BRACKET ASSEMBLY See Section 1.18	544107	1
2	TELESCOPIC ARM ASSEMBLY See Section 1.19	544113	1
3	UPPER ARM ASSEMBLY See Section 1.20	544120	1
4	LOWER ARM ASSEMBLY See Section 1.21	544118	1
5	ARM CONNECTOR	544122-1	1
6	NUT, ERICSON M8 AN88 COLLAR ZINC	F81032-33	8
7	THREADED ROD M8X80	544121	4
8	SAFETY COVER, SAW BLADE	564932	1
9	PAN HEAD TAPPING SCREW W/CROSS RECESS Z	F81010-4	10
10	WASHER 10,5 ZC DIN 126 ISO 7091	F81055-1	1
11	ADJUSTABLE HANDLE ERZ.78 P-M10X25	544127	1
12	SPRING 2,5X15X140 LESJOFORS 3486	544128	1
13	NUT, M6 8 HEX ZINC	F81031-1	1
14	SCREW M6X12 SHCS ZC 8.8 DIN 912 ISO 4762	F81001-87	1
15	SCREW, M5X16-8.8 HEX SOCKET HEAD CAP ZIN	F81000-25	4
16	WASHER, 5.3 FLAT ZINC	F81052-1	4
17	NUT, M5-8 DIN985 HEX NYLON ZINC LOCK	F81030-2	4
18	CAP, COVER BLADE	546443	1

1.18 Bottom Bracket Assembly (No. 544107)

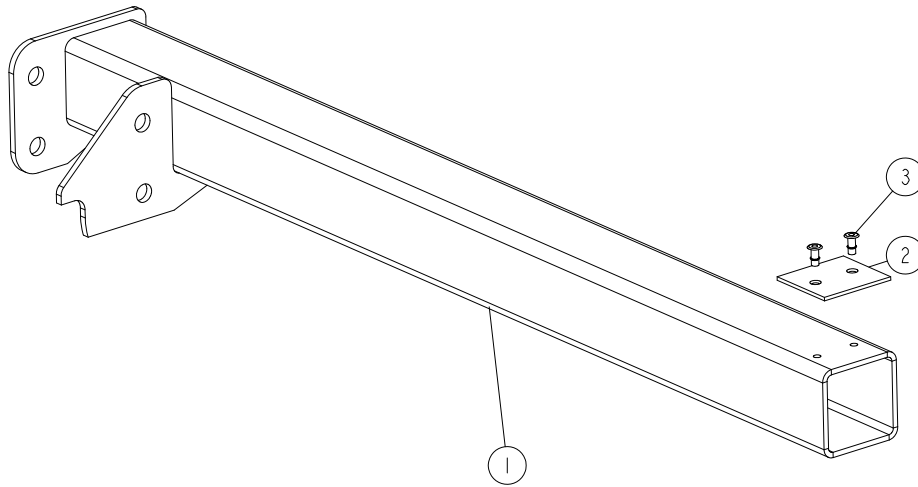
544107_001_A
544107_MANUAL



REF	DESCRIPTION (u indicates parts available in assemblies only)	PART #	QTY
-	BOTTOM BRACKET ASSEMBLY	544107	1
1	BOTTOM BRACKET	544106-1	1
2	CAP, SR 1540 199211 OUTRIGGER LEG	089710	2
3	WASHER,10.5 ZINC FLAT SPECIAL	F81055-6	2
4	BOLT, M10X75-8.8-FE/ZN5 PN-M/82101	F81003-15	2
5	POLYETHYLENE INSERT	544104	4
6	WIND SCREW WITH ROUNDED WINGS M8X30FE/ZN	F81002-127	1
7	SPACER 17/25-53.5	546441-1	1

1.19 Telescop Arm Assembly (No. 544113)

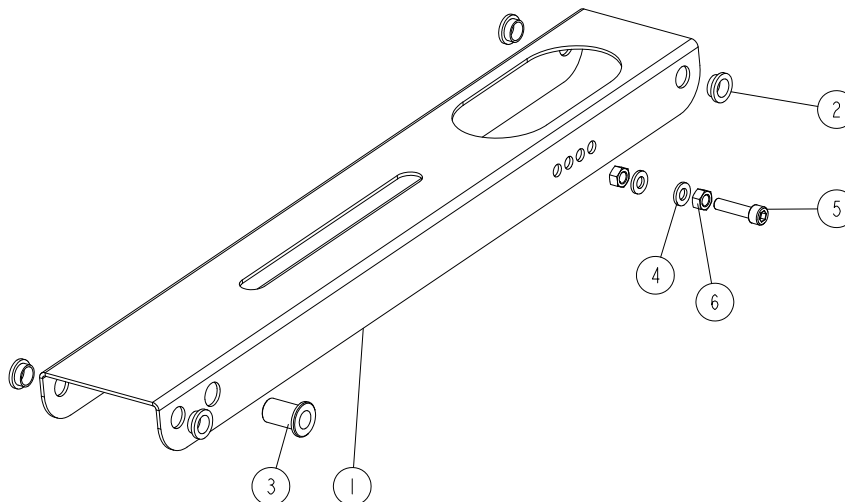
544113_001
544113_MANUAL



Ref	DESCRIPTION (* indicates parts available in assemblies only)	PART #	QTY
-	Telescopic Arm Assembly	544113	1
1	TELESCOPIC ARM	544112-1	1
2	POLYETHYLENE INSERT	544111	1
3	BREAKING RIVET AL 4X10	F81021-15	2

1.20 Upper Arm Assembly (No. 544120)

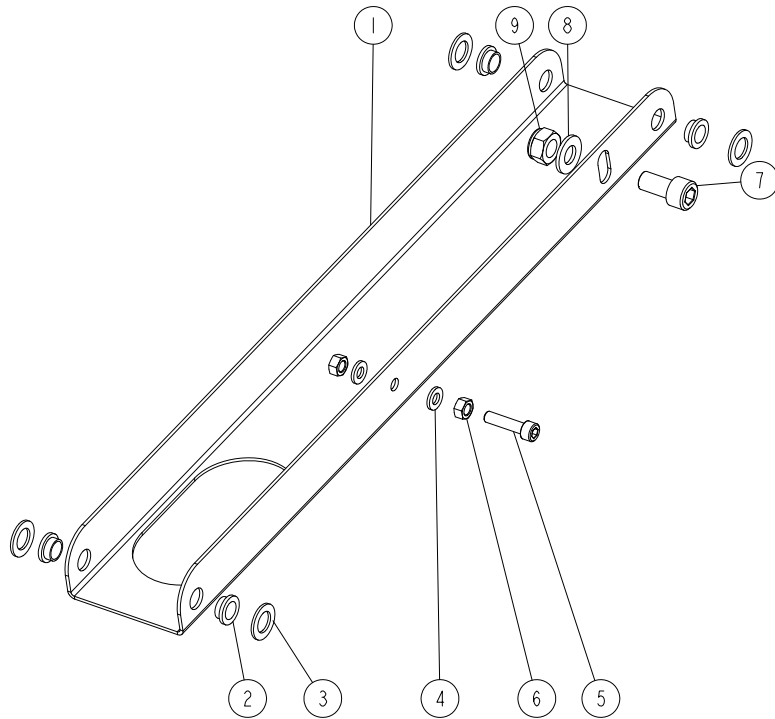
544120_001
544120_MANUAL



Ref	DESCRIPTION (* indicates parts available in assemblies only)	PART #	QTY
-	Upper Arm Assembly	544120	1
1	UPPER ARM PLATE	544119-1	1
2	BUSHING WITH FLANGE 10/12-6 FLANGE 16-2	544117	4
3	RIVET NUT M10 ZC W/KNURLED SHANK AND ROUND PAN HEAD	F81033-15	1
4	WASHER 6,4 ZC DIN 126 ISO 7091	F81053-1	2
5	BOLT M6X25 SHCS ZC PT 8.8 DIN 912 ISO 4762	F81001-41	1
6	NUT M6 ZC 8 DIN 934	F81031-1	2

1.21 Lower Arm Assembly (No. 544118)

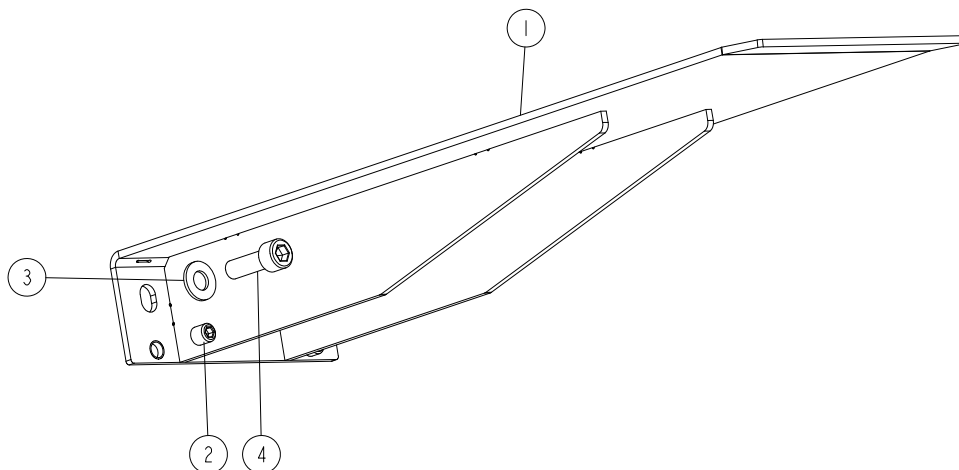
544118_001
544118_MANUAL



Ref	DESCRIPTION (* indicates parts available in assemblies only)	PART #	QTY
-	Lower Arm Assembly	544118	1
1	LOWER ARM PLATE	544115-1	1
2	BUSHING WITH FLANGE 10/12-6 FLANGE 16-2	544117	4
3	SPACER WASHER 12/20-1.5	544116-1	4
4	WASHER 6,4 ZC DIN 126 ISO 7091	F81053-1	2
5	BOLT M6X25 SHCS ZC PT 8.8 DIN 912 ISO 4762	F81001-41	1
6	NUT M6 ZC 8 DIN 934	F81031-1	2
7	SCREW M10X20 SHCS ZC 8.8 DIN 912 ISO 4762	F81003-108	1
8	WASHER 10,5 ZC DIN 126 ISO 7091	F81055-1	1
9	NUT M10 ZC 8 NYLOCK DIN 982 ISO 7040	F81033-1	1

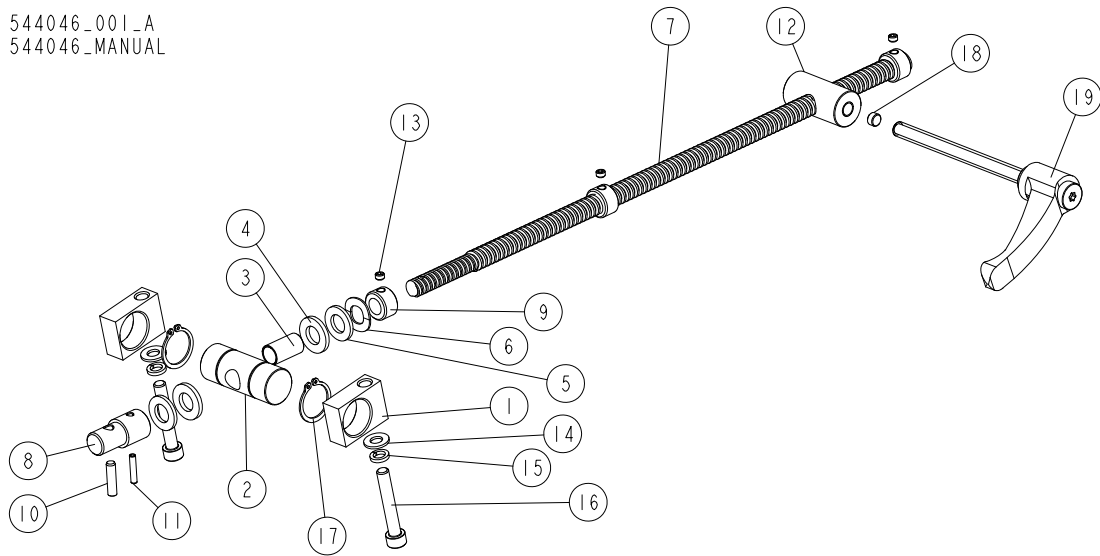
1.22 Extension Shelf Assembly (No. 544057)

544057_001
544057_MANUAL



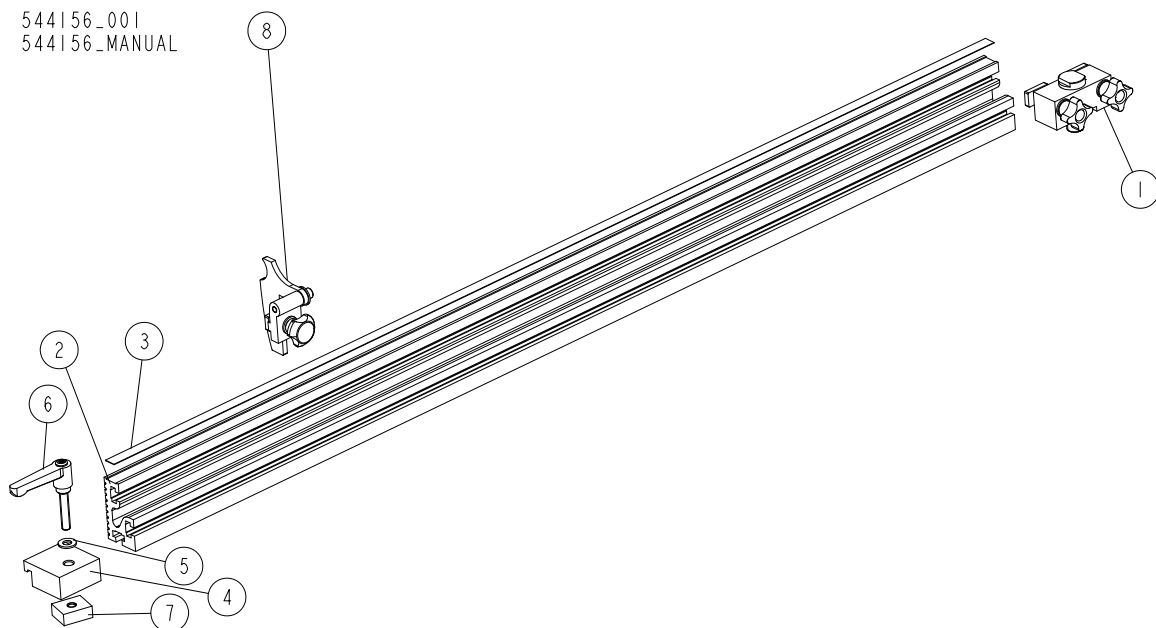
Ref	DESCRIPTION (* indicates parts available in assemblies only)	PART #	QTY
-	Extension Shelf Assembly	544057	1
1	EXTENSION TABLE CARRIAGE	544056-1	1
2	CLAMPING SCREW M10X12-45H FE/ZN5	F81003-46	2
3	WASHER 10,5 ZC DIN 126 ISO 7091	F81055-1	2
4	SCREW M10X30 SHCS ZC 8.8 DIN 912 ISO 4762	F81003-110	2

1.23 Saw Tilt Drive Screw (No. 544046)

544046_001_A
544046_MANUAL

REF	DESCRIPTION (u indicates parts available in assemblies only)	PART #	QTY
-	SAW TILT SCREW ASSEMBLY	544046	1
1	NUT SUPPORT	544042	2
2	HINGE	544041	1
3	SLIDE SLEEVE	544044	1
4	WASHER 13/24-3	544045	2
5	WASHER, 13 FLAT ZINC	F81056-1	2
6	WASHER M12 DIN 137 B SPRING WAVE	F81056-21	1
7	SAW TILT SCREW	544043	1
8	PIN, SCALE DISK MOUNT	533595-1	1
9	FIX NUT	544039	3
10	DOWEL PIN 6M6X12 DIN 7 ISO 2338	F81045-5	1
11	PIN, 8752-4X20 ROLL	F81044-11	1
12	NUT	544040	1
13	SCREW M6X4-45H FE/ZN5 DIN 913	F81001-123	3
14	WASHER, 8.4 FLAT ZINC	F81054-1	2
15	WASHER 8,2 FE/ZN9	F81054-4	2
16	SCREW M8X40 SHCS ZC 8.8 DIN 912 ISO 4762	F81002-85	2
17	RING, 25Z OUTSIDE RETAINING	F81090-22	2
18	PRESSURE INSERT	544138	1
19	MOUNTING HANDLE M10 ASSEMBLY	544143	1

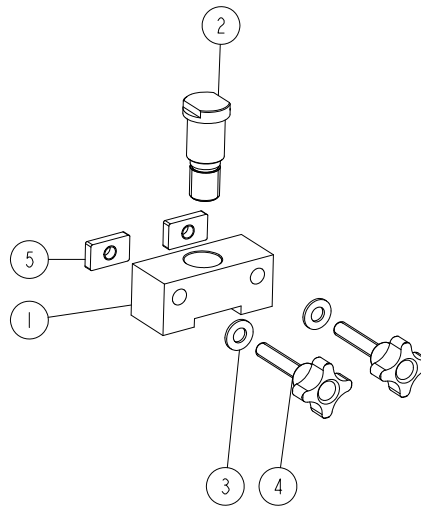
1.24 Table Angle Measurement Team (No. 544156)



Ref	DESCRIPTION (* indicates parts available in assemblies only)	PART #	QTY
-	Table Angle Measurement Team	544156	1
1	MOUNTING ASSEMBLY See Section 1.25	544154	1
-	ADDITIONAL GUIDE MAIN TABLE WITH MEASURE	544288	1
2	ADDITIONAL GUDIE MAIN TABLE	544286	1
3	GLUED MEASUREMENT	544287	1
-	CLAMP	544292	1
4	CUBE	544289-1	1
5	WASHER 8,4 ZC DIN 126 ISO 7091	F81054-1	1
6	CLAMP- ELESA+GANter GN 302-63-M8-40-SW	544291	1
7	CUBE WITH THREAD	544290-1	1
8	SIDE PRESSURE See Section 1.26	544350	1

1.25 Mounting Assembly (No. 544154)

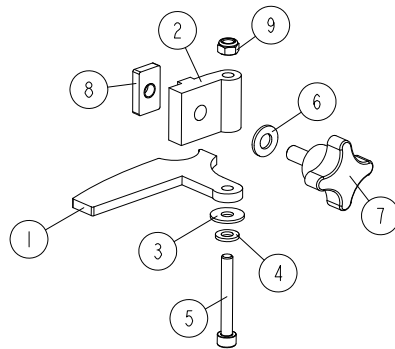
544154_001
544154_MANUAL



Ref	DESCRIPTION (* indicates parts available in assemblies only)	PART #	QTY	
-	Mounting Assembly	544154	1	
1	FIXING BLOCK 1	544152-1	1	
2	PIVOT	544146	1	
3	WASHER 8,4 ZC DIN 126 ISO 7091	F81054-1	2	
4	CROSS KNOB KIPP K1089.43208X40	544155	2	
5	NUT M8	544153-1	2	

1.26 Side Clamp (No. 544350)

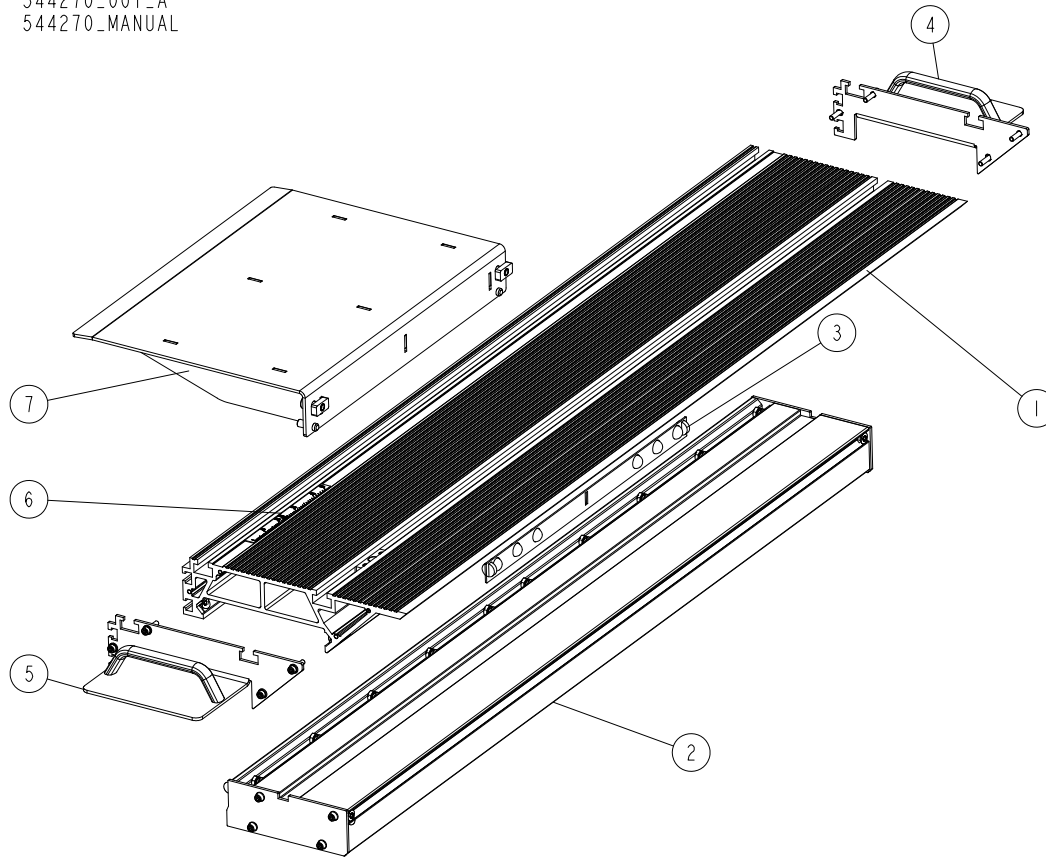
544350_001
544350_MANUAL



REF	DESCRIPTION (u indicates parts available in assemblies only)	PART #	QTY	
-	CLAMP, SIDE	544350	1	
1	PLATE	544347-1	1	
2	BLOCK, ALUMINUM	544348-1	1	
3	WASHER, 6.5 SPECIAL FLAT ZINC-PL.	F81053-11	1	
4	WASHER, 6.4 FLAT ZINC	F81053-1	1	
5	SCREW M6X45 SHC ZC 8.8 DIN 912 ISO 4762	F81001-86	1	
6	WASHER, 8.4 FLAT ZINC	F81054-1	1	
7	KNOB, 50/M8X25 (466406 MOSS)	500973	1	
8	NUT, M8	544153-1	1	
9	NUT, M6-8-B NYLON HEX ZINC LOCK	F81031-2	1	

1.27 Movable table (No. 544270)

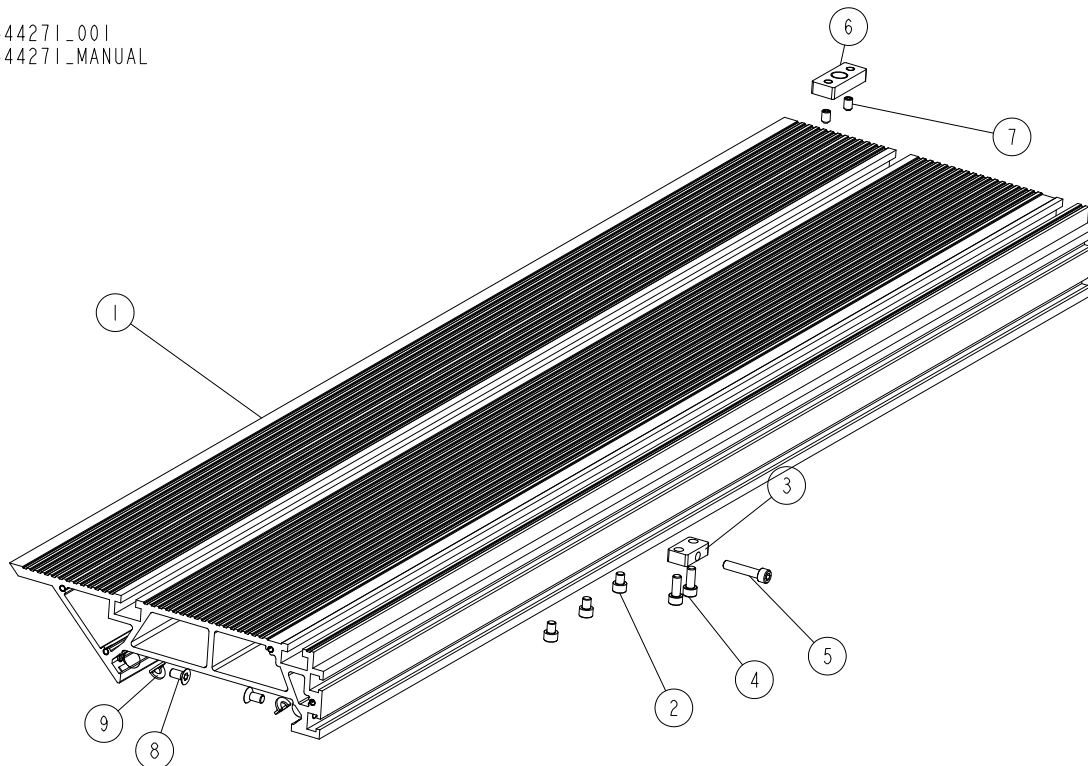
544270_001_A
544270_MANUAL



REF	DESCRIPTION (u indicates parts available in assemblies only)	PART #	QTY
-	MOVABLE TABLE	544270	1
1	MAIN PROFILE See Section 1.28	544271	1
2	LOWER PROFILE MAIN WORKTABLE See Section 1.29	544282	1
3	COMPLETE CART See Section 1.30	544283	2
4	MAIN PROFILE SIDE HANDLE See Section 1.31	544269	1
5	MAIN PROFILE SIDE HANDLE See Section 2.32	544285	1
6	MEASURE	544274	1
7	WORKWORK SIDE SHELF See Section 1.32	544267	1

1.28 Main Profile (No. 544271)

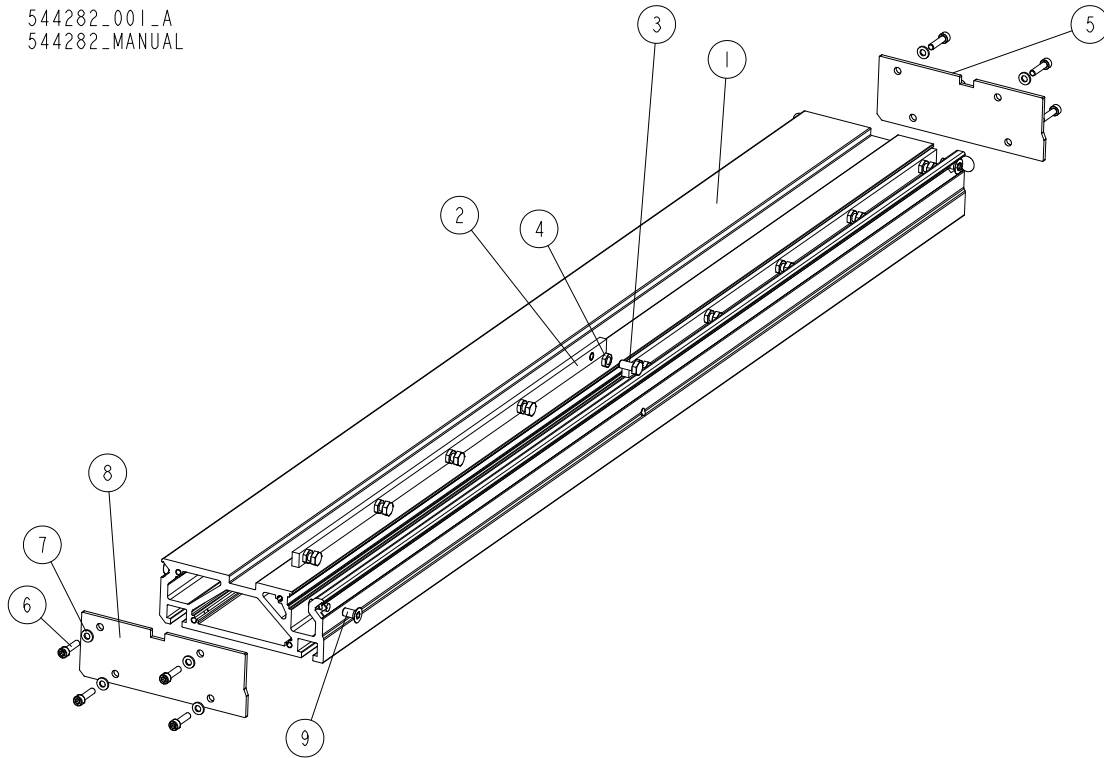
544271_001
544271_MANUAL



Ref	DESCRIPTION (* indicates parts available in assemblies only)	PART #	QTY
-	MAIN PROFILE	544271	1
1	MAIN PROFILE WITH GUIDES	544295	1
2	BOLT M8X10 SHCS ZC PT 8.8 DIN 912 ISO 4762	F81002-32	3
3	PROFILE BLOCK	544272-1	1
4	SCREW M8X20 SHCS ZC 8.8 DIN 912 ISO 4762	F81002-30	2
5	SCREW M8X40 SHCS ZC 8.8 DIN 912 ISO 4762	F81002-29	1
6	PROFILE BLOCK	544273-1	1
7	SCREW M8X12 HSS W/CONE POINT ZC 45H DIN 914	F81002-105	2
8	SCREW M8X16 HSFHS ZC 8.8 DIN7991 ISO10642	F81002-115	4
9	BENT WASHER 10	544294	4

1.29 Lower Profile (No. 544282)

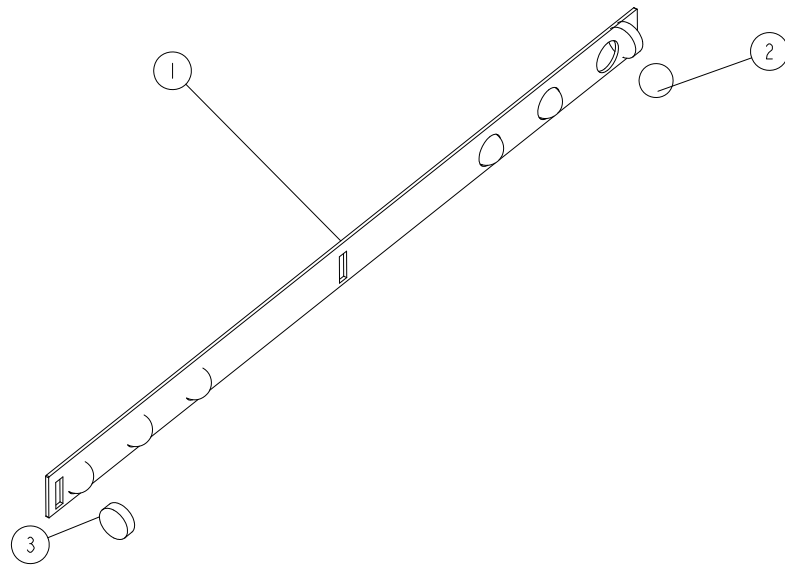
544282_001_A
544282_MANUAL



REF	DESCRIPTION (u indicates parts available in assemblies only)	PART #	QTY	
-	LOWER PROFILE MAIN WORKTABLE	544282	1	
1	LOWER PROFILE FOR A WORKTABLE WITH INSE	544296	1	
2	FLAT	544281	2	
3	BOLT M8X16 -8.8-B-FE/ZN5 PN-85/M-82105	F81002-20	10	
4	NUT M8 BLACK 04 DIN 439 ISO 4035;	F81032-17	10	
5	LOWER PROFILE SIDE SHEET	546462-1	1	
6	SCREW, M6X25 -8.8-FE/ZN5 HEX SOCKET HEAD	F81001-41	8	
7	WASHER, 6.4 FLAT ZINC	F81053-1	8	
8	LOWER PROFILE SIDE SHEET	544279-1	1	
9	SCREW M8X16 HSFHS ZC 8.8 DIN7991 ISO106	F81002-115	4	

1.30 Cart (No. 544283)

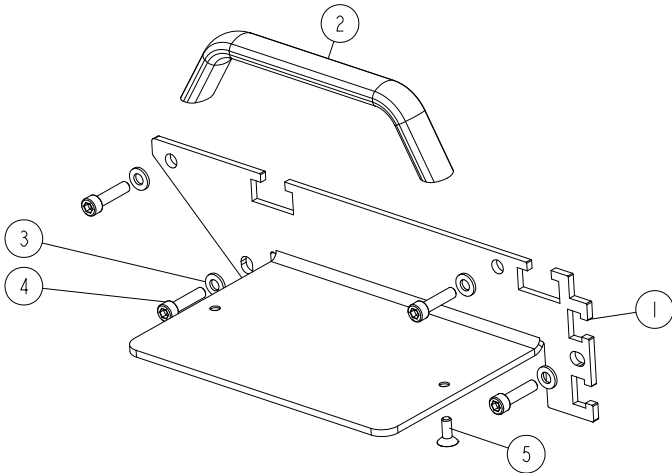
544283_001_A
544283_MANUAL



REF	DESCRIPTION (u indicates parts available in assemblies only)	PART #	QTY	
-	COMPLETE CART	544283	1	
1	CAGE, BEARING BALL	544275	1	
2	BEARING BALL FI 18 MM	546442	6	
3	FELT INSERT FI 19MM, 3/4"	544277	2	

1.31 Main Profile Side Handle (No. 544269)

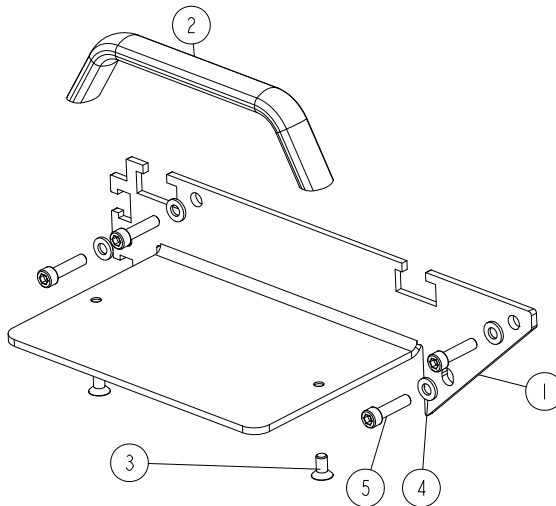
544269_001_A
544269_MANUAL



REF	DESCRIPTION (u indicates parts available in assemblies only)	PART #	QTY	
-	MAIN PROFILE SIDE HANDLE	544269	1	
1	HANDLE SHEET	544268-1	1	
2	HANDLES - ELESA+GANter GN_564-25-160	546491	1	
3	WASHER, 6.4 FLAT ZINC	F81053-1	4	
4	SCREW, M6X25 -8.8-FE/ZN5 HEX SOCKET HEAD	F81001-41	4	
5	SCREW M5X14-8.8 HEX	F81001-110	2	

2.6 Main Profile Side Handle (No. 544285)

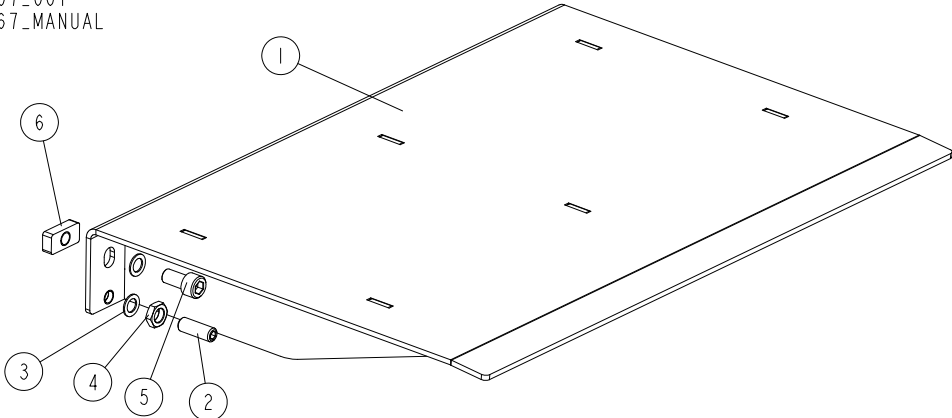
544285_001_A
544285_MANUAL



REF	DESCRIPTION (u indicates parts available in assemblies only)	PART #	QTY
-	MAIN PROFILE SIDE HANDLE	544285	1
1	HANDLE SHEET	544284-1	1
2	HANDLES - ELESA+GANter GN_564-25-160	546491	1
3	SCREW, M6X12-10.9 FE/ZN5 DIN7991	F81001-54	2
4	WASHER, 6.4 FLAT ZINC	F81053-1	4
5	SCREW, M6X25 -8.8-FE/ZN5 HEX SOCKET HEAD	F81001-41	4

1.32 Side Shelf (No. 544267)

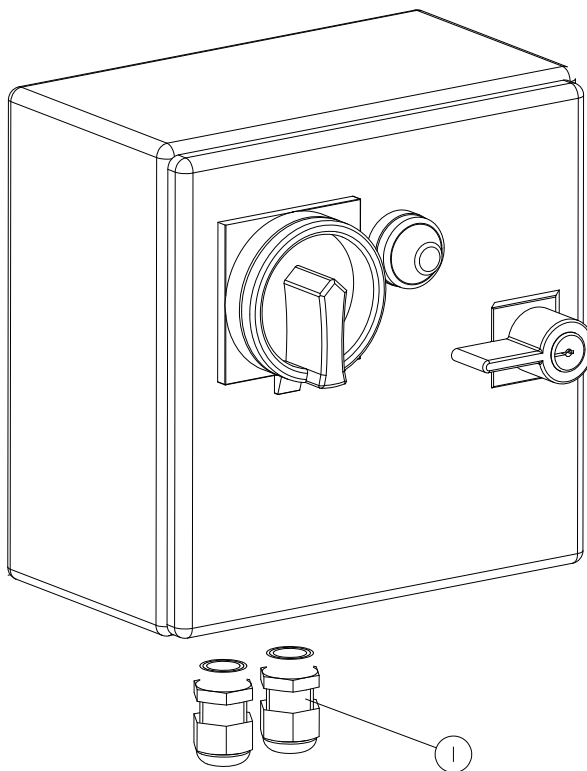
544267_001
544267_MANUAL



Ref	DESCRIPTION (* indicates parts available in assemblies only)	PART #	QTY	
-	WORKWORK SIDE SHELF	544267	1	
1	SIDE SHELF	544266-1	1	
2	GRUB SCREW, M 10X40-45H CONE POINT HEX SOCKET	F81003-35	2	
3	LOW WASHER, 10X5 FLAT ZINC	F81055-15	4	
4	NUT M10 ZC 04 THIN	F81033-10	2	
5	SCREW M10X20 SHCS ZC 8.8 DIN 912 ISO 4762	F81003-108	2	
6	SHELF CUBE	544263-1	2	

1.33 MS300EA3S Electrical Box (Part No, 536932-6)

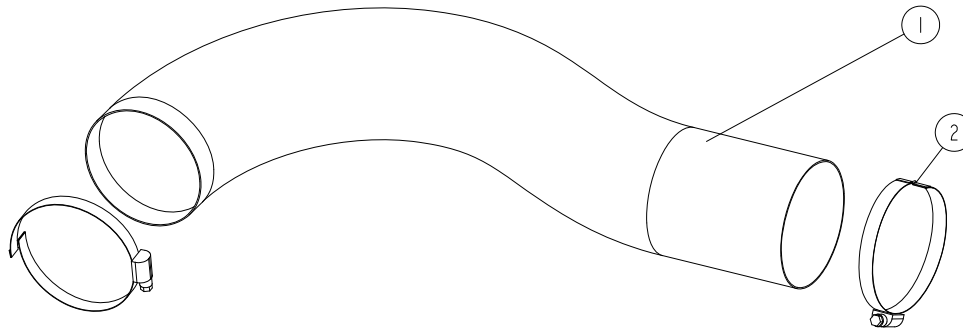
536932-6_001
536932-6_MANUAL



REF.	DESCRIPTION (* indicates parts available in assemblies only)	PART #	QTY
-	BOX, MS300EA3S ELECTRICAL	536932-6	1
1	GLAND, DW11/H CABLE	544185	2

1.34 Extraction Hose. (No. 544186)

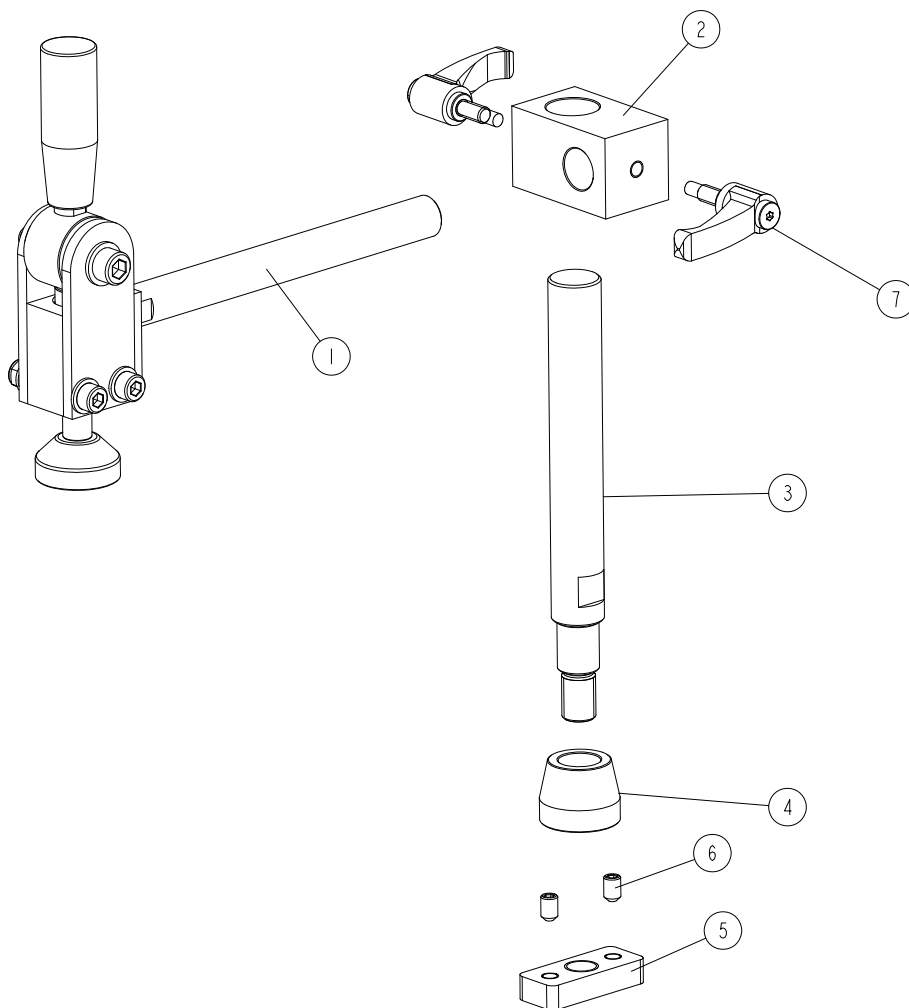
544186_001
544186_MANUAL



Ref	DESCRIPTION (* indicates parts available in assemblies only)	PART #	QTY	
-	Extraction Hose Assembly	544186	1	
1	EXTRACTION HOSE DIA=100; L=1100	544185	1	
2	BRIDGE BAND BC (N90-110)	F81095-11	2	

2.10 Hold-Down Assembly (No. 542460)

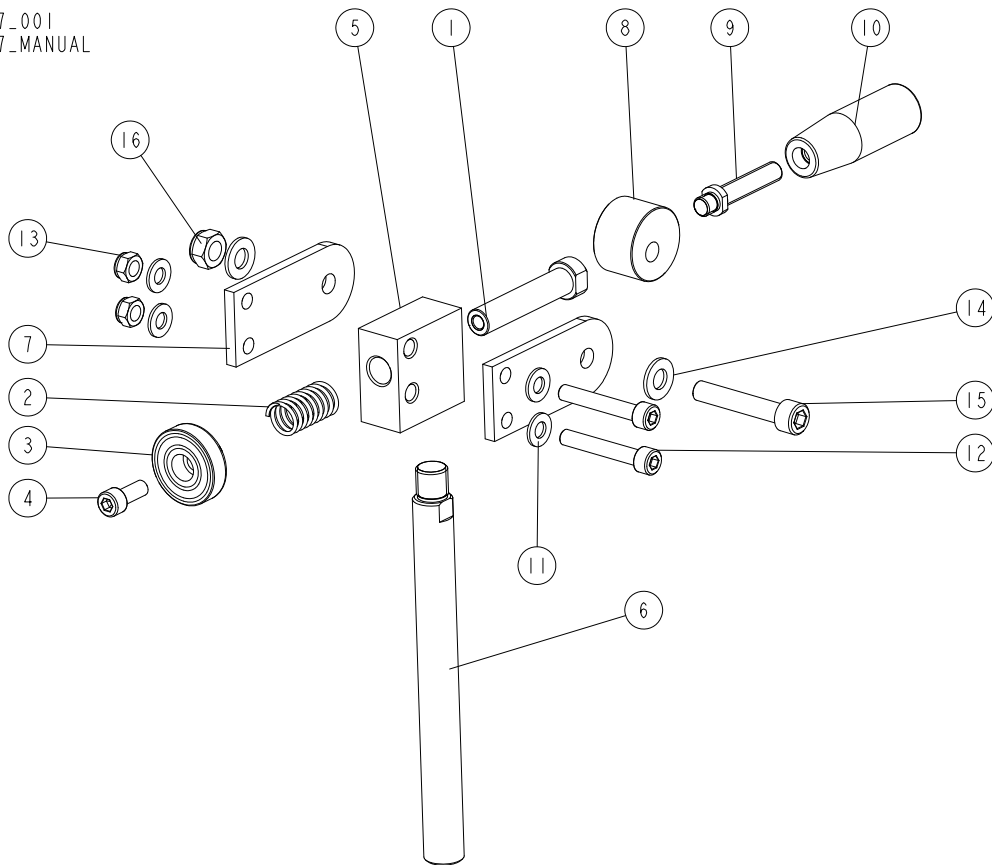
542460_001
542460_MANUAL



REF.	DESCRIPTION (* indicates parts available in assemblies only)	PART #	QTY
-	HOLD-DOWN ASSEMBLY	542460	1
1	ARM, HOLD-DOWN See Section 2.11	544367	1
2	BLOCK	544353-1	1
3	ROD	544352-1	1
4	SLEEVE, CONICAL	544381-1	1
5	BLOCK, GUIDE	544273-1	1
6	SCREW, M8X12-45H FE/ZN DIN914/ PN82315 HEX SOCKET SET W/CONE POINT	F81002-105	2
7	HANDLE, ERZ.63 P-M8X16 ADJUSTABLE	535988	2

1.35 Hold-Down Arm (No. 544367)

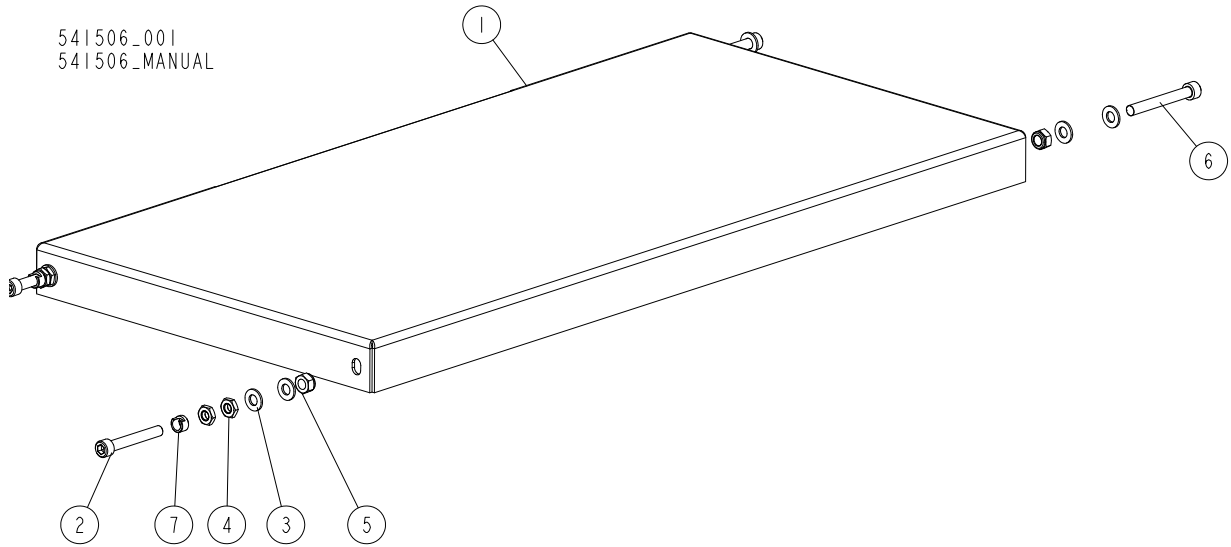
544367_001
544367_MANUAL



REF.	DESCRIPTION (* indicates parts available in assemblies only)	PART #	QTY
-	ARM, HOLD-DOWN	544367	1
-	HOLD-DOWN ASSEMBLY	544360	1
1	SHAFT II	544359-1	1
2	SPRING, 18.3X35X2	544361	1
3	ELEMENT, HOLD-DOWN	544358-1	1
4	SCREW, M8X20-8.8 HEX SOCKET HEAD CAP ZINC	F81002-30	1
5	BLOCK	544356-1	1
6	SHAFT	544357-1	1
7	PLATE	544362-1	2
-	HANDLE ASSEMBLY	544365	1
8	CAM	544363-1	1
9	PIN	544364-1	1
10	HANDLE, ELESА CYLINDRICAL	544366	1
11	WASHER, 8.4 FLAT ZINC	F81054-1	4
12	SCREW, M8X40-8.8 HEX SOCKET HEAD CAP ZINC	F81002-85	2
13	NUT, M8-8-B HEX NYLON ZINC LOCK	F81032-2	2
14	WASHER, 10.5 FLAT ZINC	F81055-1	2
15	SCREW, M10X55-8.8 HEX SOCKET HEAD CAP ZINC	F81003-55	1
16	NUT, M10-8-B HEX NYLON ZINC LOCK	F81033-1	1

1.36 Extension Table. 541506

541506_001
541506_MANUAL



REF	DESCRIPTION (◆ indicates parts available in assemblies only)	PART #	QTY
-	EXTENSION TABLE, RIP FENCE, 440 x 900 MM	541506	1
1	EXTENSION TABLE	546485-1	1
2	ALLEN SCREW M10X70-8.8 FE/ZN5 DIN 912	F81003-60	2
3	WASHER, 10.5 FLAT ZINC	F81055-1	8
4	NUT, M10 DIN439 THIN	F81033-20	4
5	NUT, M10-8-B HEX NYLON ZINC LOCK	F81033-1	4
6	SCREW, M10X80-8.8 HEX SOCKET HEAD CAP ZINC	F81003-69	2
7	BUSHING, SPACER	546483	2